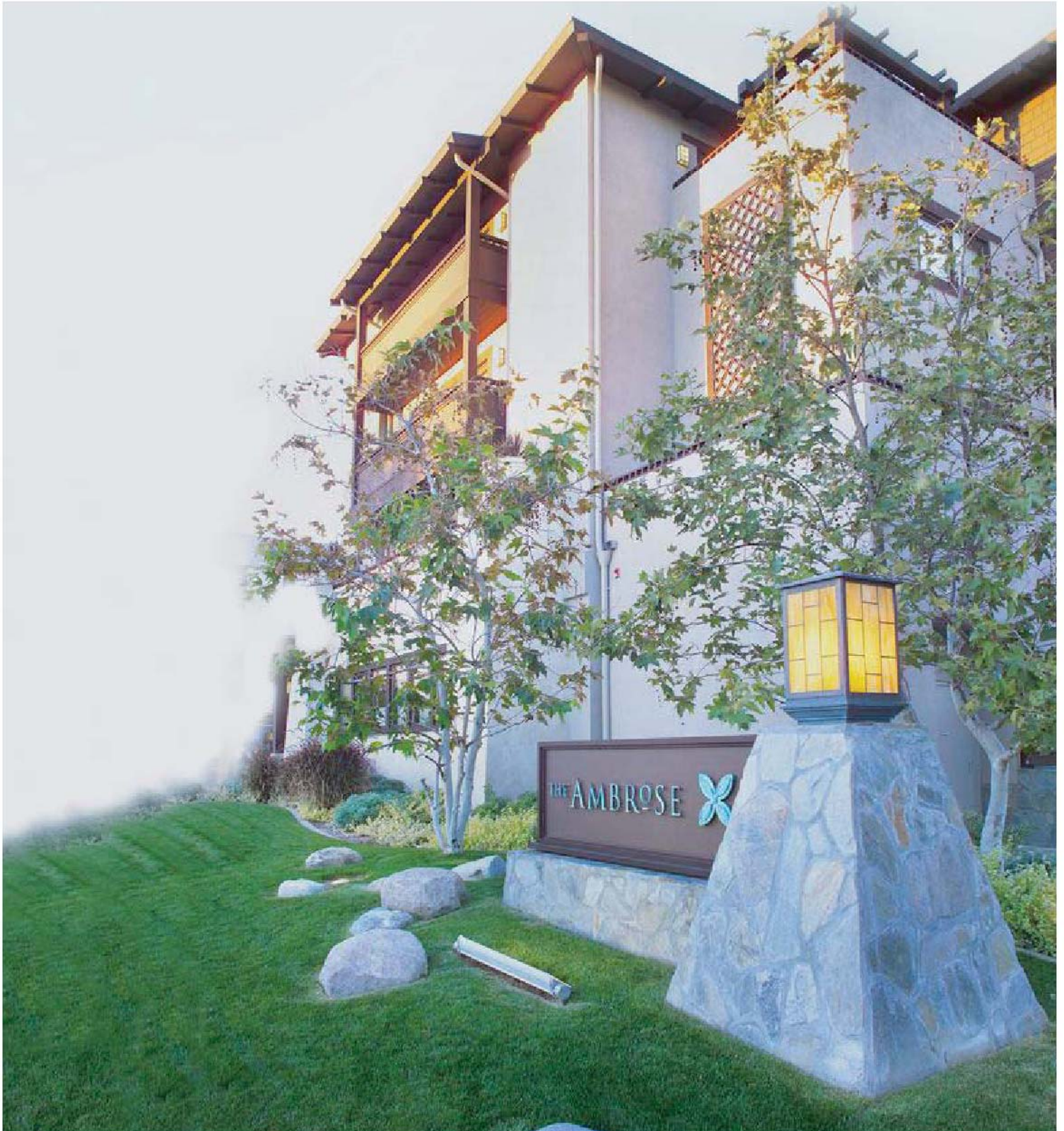


from Architectural Detail Group

inc.



<http://www.adgecolp.com>

DIRECTORY INDEX

Content

Induction Lamp

Operating principle of induction lighting
Induction lamp characteristics 1

Square Tubular Induction Lamp 3



Round Tubular Induction Lamp 5



Ball Type Induction Lamp 7



Ball Type Induction Lamp 9



Self-ballasted Induction Lamp 11



18



19



20



21



22



23



24



Induction Fixtures

□ High/Lo Bay Luminaire

13



14



15



16



17



□ Roadway Luminaire

25



26



27



28



29



ELECTRODELESS INDUCTION LAMPS

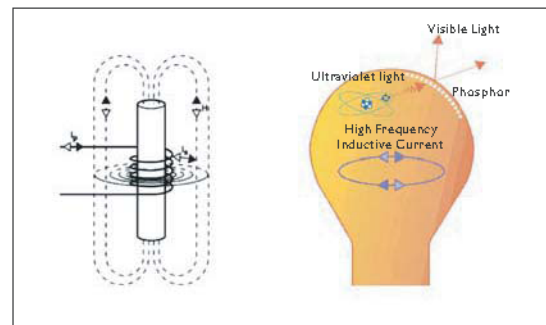


The electric lighting source with longest lifetime available in the world

—Electrodeless Induction Lamps

Operating principle :

High-frequency Electrodeless Induction Lamp, also called induction lamps are based on Faraday principle of electromagnetic induction with a structure similar to transformer: The energy is coupled from the primary coils to the secondary rings formed by plasma, which results in a long life, high lighting efficacy lighting source. The innovation is that there are no electrodes while the energy is coupled to the lamp by high frequency induction magnetic field. The gas inside the lamp is excited by the magnetic field and turned into plasma. When the excited atoms of plasma return to the ground state, they radiate the 254nm UV light, which is converted into visible light by tri-phosphor coating on inner glass surface in the same manner of fluorescent lamps. The new technology solves the electrode-aging related problems, which results in maintenance-free and a long lifetime of the lamp.



* Operation principle of induction lamp

ELECTRODELESS INDUCTION LAMPS

http://www.adgcolp.com

Induction Lamps

03



Series 40W- 400W



Induction Lamp Specifications :

Product No.	Model No.	Wattage (W)	Operating Frequency (KHz)	Rated Initial Luminance (Lm)	Efficacy (Lm/W)	Luminance Maintenance (60 Khrs)	CRI	Color Temperature (K)	Average Lifetime (hrs)
See Price Sheet	See Price Sheet	40	250	2600~2800	65~70	70%	≥ 80	4000	100,000
See Price Sheet								5000	
See Price Sheet	See Price Sheet	70		4900~5250	70~75			4000	
See Price Sheet								5000	
See Price Sheet	See Price Sheet	80		5600~6000	70~75			4000	
See Price Sheet								5000	
See Price Sheet	See Price Sheet	100		7500~8000	75~80			4000	
See Price Sheet								5000	
See Price Sheet	See Price Sheet	120		9000~9600	75~80			4000	
See Price Sheet								5000	
See Price Sheet	See Price Sheet	150		11250~12000	75~80			4000	
See Price Sheet								5000	
See Price Sheet	See Price Sheet	200		16000~17000	80~85			4000	
See Price Sheet								5000	
See Price Sheet	See Price Sheet	250		20000~21250	80~85			4000	
See Price Sheet								5000	
See Price Sheet	See Price Sheet	300	25500~27000	85~90	4000				
See Price Sheet					5000				
See Price Sheet	See Price Sheet	400	34000~36000	85~90	4000				
See Price Sheet					5000				

- *Notes: 1、 Color Temperature 2720-6500 available upon request.
 2、 Operating ambient temperature 0°C ~ +50°C (without fixture, or with open fixture).
 3、 Operating ambient temperature -20°C ~+50°C (with enclosed fixture).
 4、 Product for operating at ambient temperature (-40°C~ 0°C) available upon request.

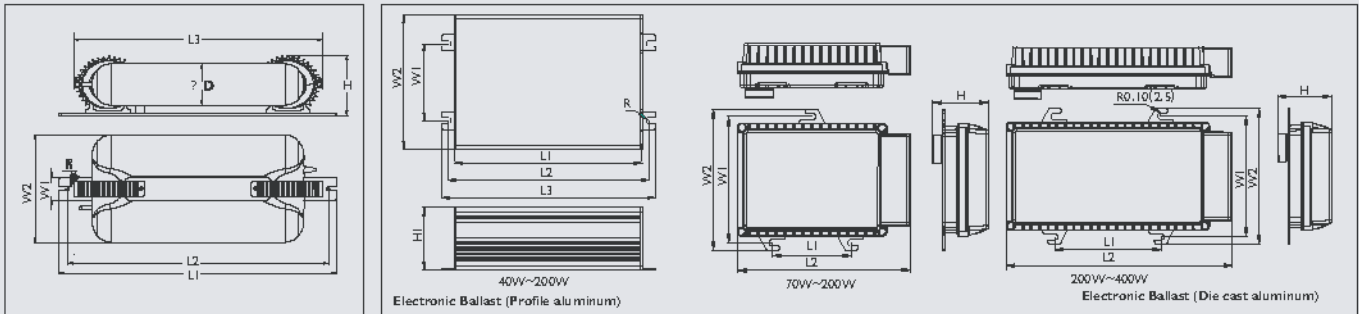
Ordering code : See Price Sheet

*The above data is subject to change without notice

Electronic Ballast Specifications

Product No.		Model No.		Wattage (W)	Voltage (VAC)	Current (A)	Frequency (Hz)	THD	Power Factor	Input Power (W)	Case Temperature (°C)	UL CUL
Profile aluminum	Die cast aluminum	Profile aluminum	Die cast aluminum									
See Price Sheet		See Price Sheet		40	120~277	0.39~0.16	50/60	≤10%	≥0.95	42	<65	
See Price Sheet	See Price Sheet	See Price Sheet	See Price Sheet	70		0.62~0.27				74		√
See Price Sheet	See Price Sheet	See Price Sheet	See Price Sheet	80		0.75~0.32				84		
See Price Sheet	See Price Sheet	See Price Sheet	See Price Sheet	100		0.88~0.41				105		√
See Price Sheet	See Price Sheet	See Price Sheet	See Price Sheet	120		1.11~0.48				126		
See Price Sheet	See Price Sheet	See Price Sheet	See Price Sheet	150		1.33~0.63				158		√
See Price Sheet	See Price Sheet	See Price Sheet	See Price Sheet	200		1.76~0.80				210		√
	See Price Sheet		See Price Sheet	250		2.19~1.05				263		√
	See Price Sheet		See Price Sheet	300		2.63~1.20				315		√
	See Price Sheet		See Price Sheet	400		3.50~1.52				420		√

* Note: tolerance of input power ±5%.



Induction Lamp Dimensions:

Wattage	Dim	Unit in.(mm)											
		40W (Φ38)	70W (Φ54)	80W (Φ54)	100W (Φ54)	120W (Φ54)	150W (Φ54)	200W (Φ58)	250W (Φ58)	300W (Φ58)	400W (Φ58)		
Bracket Length	L1	9.45 (240)	12.91 (328)	14.49 (368)	16.46 (418)	22.76 (578)	24.37 (619)	42.44 (1078)	24.37 (619)	32.60(828)	28.31(719)	42.44(1078)	36.54(928)
Mounting Holes Spacing	L2	9.06 (230)	12.13 (308)	13.70 (348)	15.67 (398)	21.97 (558)	23.58 (449)	41.65 (1058)	23.58 (599)	31.81(808)	27.52(699)	41.65 (1058)	35.75(908)
Couple Wiring Spacing	L3	8.66(220)	11.57(294)	13.15(334)	15.12(384)	21.42(544)	23.03(435)	41.10(1044)	23.03(585)	31.26(794)	26.97(685)	41.10(1044)	35.20(894)
Tube Diameter	D	1.50(38)	2.13(54)	2.13(54)	2.13(54)	2.13(54)	2.28(58)	1.50(38)	2.28(58)	2.13(54)	2.28(58)	2.13(54)	2.28(58)
Lamp Height	H	3.09(78.5)	3.09(78.5)	3.09(78.5)	3.09(78.5)	3.09(78.5)	3.09(78.5)	3.09(78.5)	3.09(78.5)	3.09(78.5)	3.09(78.5)	3.09(78.5)	3.09(78.5)
Bracket Width	W1	0.79(20)	1.18(30)	1.18(30)	1.18(30)	1.18(30)	1.77(45)	1.18(30)	1.77(45)	1.18(38)	1.77(45)	1.18(38)	1.18(38)
Lamp Width	W2	4.33(110)	7.56(140)	7.56(140)	7.56(140)	7.56(140)	7.56(192)	4.92(125)	7.56(192)	6.22(158)	7.56(192)	6.22(158)	7.56(192)
Mounting Hole Radius	R	0.10(2.5)	0.10(2.5)	0.10(2.5)	0.10(2.5)	0.10(2.5)	0.10(2.5)	0.10(2.5)	0.10(2.5)	0.10(2.5)	0.10(2.5)	0.10(2.5)	0.10(2.5)

Electronic Ballast Dimensions(Profile aluminum):

Model No.	Unit in.(mm)						
	L1	L2	L3	W1	W2	R	H1
See Price Sheet	6.19(157.3)	6.63(168.3)	6.98(177.3)	2.38(60.5)	4.11(104.5)	0.10(2.5)	1.89(48)
See Price Sheet	6.19(157.3)	6.63(168.3)	6.98(177.3)	2.38(60.5)	4.11(104.5)	0.10(2.5)	1.89(48)
See Price Sheet	6.19(157.3)	6.63(168.3)	6.98(177.3)	2.38(60.5)	4.11(104.5)	0.10(2.5)	1.89(48)
See Price Sheet	6.19(157.3)	6.63(168.3)	6.98(177.3)	2.38(60.5)	4.11(104.5)	0.10(2.5)	1.89(48)
See Price Sheet	7.44(189)	7.91(201)	8.39(213)	2.76(70)	4.72(120)	0.10(2.5)	2.09(53)
See Price Sheet	7.44(189)	7.91(201)	8.39(213)	2.76(70)	4.72(120)	0.10(2.5)	2.09(53)
See Price Sheet	7.44(189)	7.91(201)	8.39(213)	2.76(70)	4.72(120)	0.10(2.5)	2.09(53)

Electronic Ballast Dimensions(Die cast aluminum):

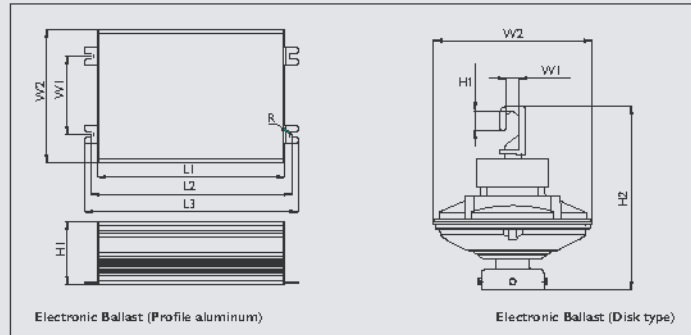
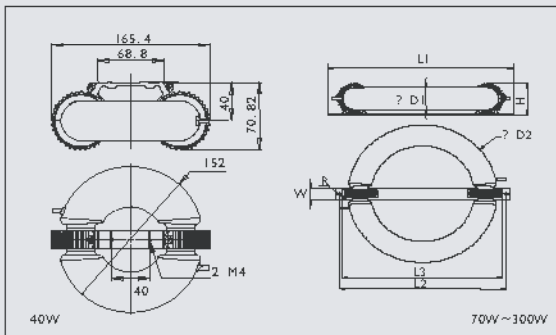
Model No.	Unit in.(mm)				
	L1	L2	W1	W2	H
See Price Sheet	4.17(106)	9.21(234)	6.67(169.5)	7.46(189.5)	2.97(75.5)
See Price Sheet					
See Price Sheet					
See Price Sheet					
See Price Sheet					
See Price Sheet					
See Price Sheet	5.91(150)	12.56(319)	6.67(169.5)	7.46(189.5)	2.97(75.5)
See Price Sheet					
See Price Sheet					
See Price Sheet					

* The above data is subject to change without notice

Electronic Ballast Specifications

Product No.		Model No.		Wattage (W)	Voltage (VAC)	Current (A)	Frequency (Hz)	THD	Power Factor	Input Power (W)	Case Temperature (°C)	UL CUL
Profile aluminum	Die cast aluminum	Profile aluminum	Die cast aluminum									
See Price Sheet	See Price Sheet	See Price Sheet	See Price Sheet	40	120~277	0.39~0.16	50/60	≤10%	≥0.95	42	<65	
See Price Sheet	See Price Sheet	See Price Sheet	See Price Sheet	70		0.62~0.27				74		√
See Price Sheet	See Price Sheet	See Price Sheet	See Price Sheet	80		0.75~0.32				84		
See Price Sheet	See Price Sheet	See Price Sheet	See Price Sheet	100		0.88~0.41				105		√
See Price Sheet	See Price Sheet	See Price Sheet	See Price Sheet	120		1.05~0.45				126		
See Price Sheet	See Price Sheet	See Price Sheet	See Price Sheet	150		1.11~0.48				158		√
See Price Sheet	See Price Sheet	See Price Sheet	See Price Sheet	200		1.33~0.63				210		√
-	See Price Sheet	-	See Price Sheet	250		1.76~0.80				263		√
-	See Price Sheet	-	See Price Sheet	300		2.19~1.05				315		√

*Note: tolerance of input power ±5%.



Induction Lamp Dimensions:

Wattage	Dim	70W	80W	100W	120W	150W	200W	250W	300W
Bracket Length	L1	9.45(240)	9.45(240)	10.63(270)	11.93(303)	14.09(358)	16.50(419)	17.17(436)	19.69(500)
Mounting Holes Spacing	L2	8.86(225)	8.86(225)	10.04(255)	11.34(288)	13.50(343)	15.91(404)	16.38(416)	18.90(480)
Couple Wiring Spacing	L3	7.85(199.5)	7.85(199.5)	9.42(239.2)	10.72(272.2)	12.53(318.3)	14.93(379.1)	15.83(402)	18.35(466)
Tube Diameter	D1	2.13(54)	2.13(54)	2.13(54)	2.13(54)	2.13(54)	2.13(54)	2.28(58)	2.28(58)
Lamp Height	H	3.09(78.5)	3.09(78.5)	3.09(78.5)	3.09(78.5)	3.09(78.5)	3.09(78.5)	3.09(78.5)	3.09(78.5)
Bracket Width	W	1.18(30)	1.18(30)	1.18(30)	1.18(30)	1.18(30)	1.18(30)	1.18(30)	1.57(40)
Lamp Width	D2	7.09(180)	7.09(180)	8.54(217)	9.80(249)	11.57(294)	13.94(354)	14.84(377)	17.36(441)
Mounting Hole Radius	R	0.10(2.5)	0.10(2.5)	0.10(2.5)	0.10(2.5)	0.10(2.5)	0.10(2.5)	0.10(2.5)	0.10(2.5)

Electronic Ballast Dimensions(Profile aluminum):

Model No.	L1	L2	L3	W1	W2	R	H1
See Price Sheet	6.19(157.3)	6.63(168.3)	6.98(177.3)	2.38(60.5)	4.11(104.5)	0.10(2.5)	1.89(48)
See Price Sheet	6.19(157.3)	6.63(168.3)	6.98(177.3)	2.38(60.5)	4.11(104.5)	0.10(2.5)	1.89(48)
See Price Sheet	6.19(157.3)	6.63(168.3)	6.98(177.3)	2.38(60.5)	4.11(104.5)	0.10(2.5)	1.89(48)
See Price Sheet	6.19(157.3)	6.63(168.3)	6.98(177.3)	2.38(60.5)	4.11(104.5)	0.10(2.5)	1.89(48)
See Price Sheet	7.44(189)	7.91(201)	8.39(213)	2.76(70)	4.72(120)	0.10(2.5)	2.09(53)
See Price Sheet	7.44(189)	7.91(201)	8.39(213)	2.76(70)	4.72(120)	0.10(2.5)	2.09(53)
See Price Sheet	7.44(189)	7.91(201)	8.39(213)	2.76(70)	4.72(120)	0.10(2.5)	2.09(53)

Electronic Ballast Dimensions(Disk type):

Model No.	H1	H2	W1	W2
See Price Sheet	1.10(28)	10.04(255)	0.79(20)	8.07(205)
See Price Sheet		10.51(267)		11.02(280)
See Price Sheet				
See Price Sheet				
See Price Sheet		10.67(271)		
See Price Sheet				

* The above data is subject to change without notice

ELECTRODELESS INDUCTION LAMPS

http://www.adgecolp.com

Induction Lamps

07



Induction Lamp Specifications :

Product No.	Model No.	Wattage (W)	Operating Frequency (KHz)	Rated Initial Luminance (Lm)	Efficacy (Lm/W)	Luminance Maintenance (40 Khrs)	CRI	Color Temperature (K)	Average Lifetime (hrs)
See Price Sheet	See Price Sheet	55	250	3300~3575	60~65	70%	≥ 80	4000	60,000
See Price Sheet								5000	
See Price Sheet	See Price Sheet	85		5520~5950	65~70			4000	
See Price Sheet								5000	
See Price Sheet	See Price Sheet	100		6500~7000	65~70			4000	
See Price Sheet								5000	
See Price Sheet	See Price Sheet	165		10725~11550	65~70			4000	
See Price Sheet								5000	
See Price Sheet	See Price Sheet	200		13000~14000	65~70			4000	
See Price Sheet								5000	

- Note: 1、 Color Temperature 2720-6500 available upon request.
 2、 Operating ambient temperature 0°C ~ +50°C (without fixture, or with open fixture).
 3、 Operating ambient temperature -20°C ~ +40°C (with enclosed fixture).
 4、 Product for operating at ambient temperature (-40°C~ 0°C) available upon request.

Product NO.

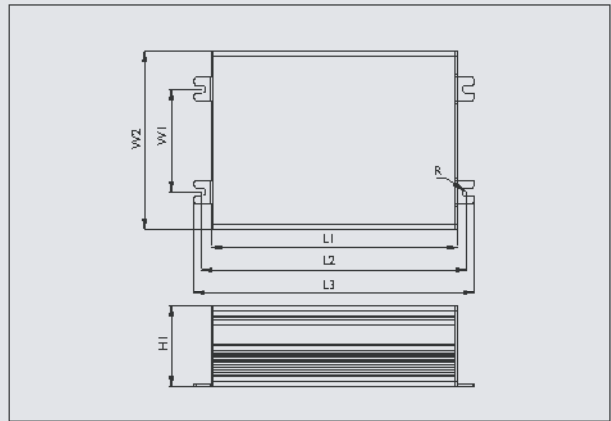
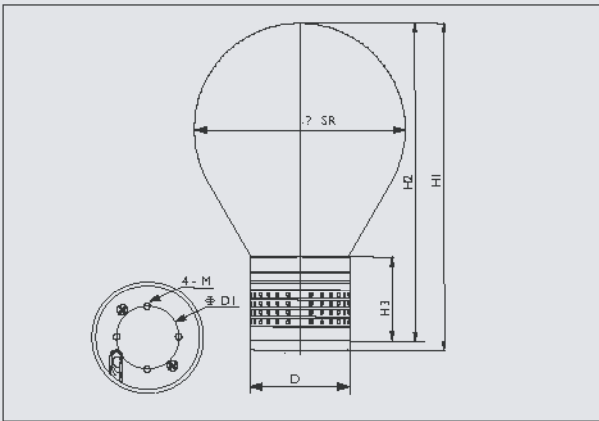
Ordering code : See Price Sheet

* The above data is subject to change without notice

Electronic Ballast Specifications :

Product No.	Model No.	Lamp Power (W)	Input Voltage (VAC)	Input Current (A)	Frequency (HZ)	THD	Power Factor	Input Power (W)	Max Case Temperature (C)	UL CUL
See Price Sheet	See Price Sheet	55	120~277	0.54~0.23	50/60	≤10%	≥0.95	58	<65	✓
See Price Sheet	See Price Sheet	85		0.73~0.31				89		
See Price Sheet	See Price Sheet	100		0.88~0.41				105		
See Price Sheet	See Price Sheet	165		1.46~0.67				173		
See Price Sheet	See Price Sheet	200		1.76~0.80				210		

*Note: tolerance of input power ±5%.



Induction Lamp Dimensions:

Unit:in.(mm)

Wattage	Dim	55W	85W	100W	165W	200W
Total Height	HI	5.98(151.8)	7.28(184.8)	7.28(184.8)	8.51(216.2)	8.51(216.2)
Bulb Height	H2	5.68(144.3)	7.00(177.8)	7.00(177.8)	8.20(208.2)	8.20(208.2)
Base Height	H3	1.95(49.6)	1.97(50)	1.97(50)	2.46(62.4)	2.46(62.4)
Bulb Diameter	SR	3.66(93)	4.52(115)	4.52(115)	5.52(140)	5.52(140)
Base Diameter	D	2.17(55)	2.17(55)	2.17(55)	2.61(66.4)	2.61(66.4)
Mounting Hole Diameter	M	M4	M4	M4	M4	M4
Mounting Hole Spacing	DI	1.57(40)	1.57(40)	1.57(40)	1.57(40)	1.57(40)

Electronic Ballast Dimensions:

Unit:in.(mm)

Model No.	L1	L2	L3	W1	W2	R	HI
See Price Sheet	6.19(157.3)	6.63(168.3)	6.98(177.3)	2.38(60.5)	4.11(104.5)	0.10(2.5)	1.89(48)
See Price Sheet	6.19(157.3)	6.63(168.3)	6.98(177.3)	2.38(60.5)	4.11(104.5)		1.89(48)
See Price Sheet	6.19(157.3)	6.63(168.3)	6.98(177.3)	2.38(60.5)	4.11(104.5)		1.89(48)
See Price Sheet	7.44(189)	7.91(201)	8.39(213)	2.76(70)	4.72(120)		2.09(53)
See Price Sheet	7.44(189)	7.91(201)	8.39(213)	2.76(70)	4.72(120)		2.09(53)

* The above data is subject to change without notice.

ELECTRODELESS INDUCTION LAMPS



Ball Type Induction Bulb



Induction Lamp Specifications :

Product No.	Model No.	Wattage (W)	Operating Frequency (KHz)	Rated Initial Luminance (Lm)	Efficacy (Lm/W)	Luminance Maintenance (40 Khrs)	CRI	Color Temperature (K)	Average Lifetime (hrs)
See Price Sheet	See Price Sheet	35	250	2275~2450	65~70	70%	≥ 80	4000	60,000
See Price Sheet								5000	
See Price Sheet	55	3575~3850		4000					
See Price Sheet				5000					
See Price Sheet	See Price Sheet	85		5950~6375	70~75			4000	
See Price Sheet								5000	
See Price Sheet	See Price Sheet	100		7000~7500				4000	
See Price Sheet								5000	
See Price Sheet	See Price Sheet	120		8400~9000	4000				
See Price Sheet					5000				
See Price Sheet	See Price Sheet	165		11550~12375	4000				
See Price Sheet					5000				
See Price Sheet	See Price Sheet	200	14000~15000	4000					
See Price Sheet				5000					
See Price Sheet	See Price Sheet	250	17500~18750	4000					
See Price Sheet				5000					

- * Note: 1、 Color Temperature 2720-6500 available upon request.
 2、 Operating ambient temperature 0°C ~ +50°C (without fixture, or with open fixture).
 3、 Operating ambient temperature -20°C ~ +40°C (with enclosed fixture).
 4、 Product for operating at ambient temperature (-40°C~ 0°C) available upon request.

Product NO.

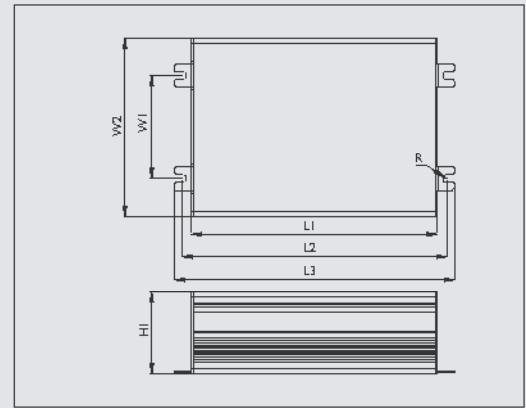
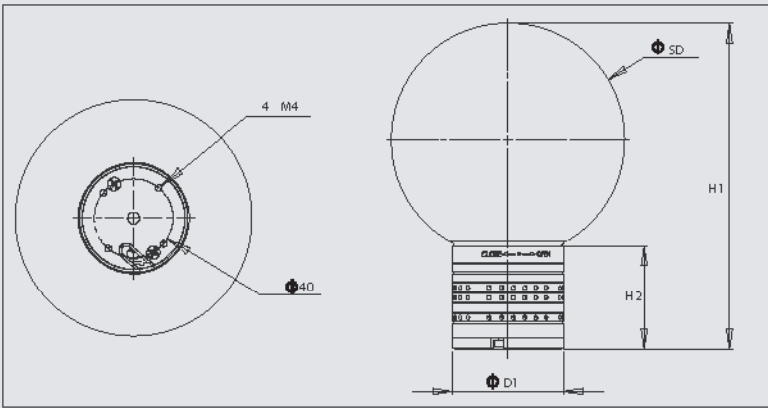
Ordering code : See Price Sheet

* The above data is subject to change without notice.

Electronic Ballast Specifications :

Product No.	Model No.	Lamp Power (W)	Input Voltage (VAC)	Input Current (A)	Frequency (HZ)	THD	Power Factor	Input Power (W)	Max Case Temperature (°C)	UL CUL
See Price Sheet	See Price Sheet	35	120~277	0.32~0.14	50/60	≤ 10%	≥ 0.95	37	<65	
See Price Sheet	See Price Sheet	55		0.54~0.23				58		
See Price Sheet	See Price Sheet	85		0.73~0.31				89		✓
See Price Sheet	See Price Sheet	100		0.88~0.41				105		✓
See Price Sheet	See Price Sheet	120		1.11~0.48				126		
See Price Sheet	See Price Sheet	165		1.64~0.67				173		✓
See Price Sheet	See Price Sheet	200		1.76~0.80				210		✓
See Price Sheet	See Price Sheet	250		2.30~1.00				263		

Note: tolerance of input power ±5%.



Induction Lamp Dimensions:

Unit:in.(mm)

Model No.	Φ D1	H1	H2	Φ SD
See Price Sheet	2.17(55)	5.94(150.9)	2.24(57)	3.94(100)
See Price Sheet	2.17(55)	6.77(171.9)	2.24(57)	4.72(120)
See Price Sheet	2.17(55)	7.18(182.3)	2.24(57)	5.12(130)
See Price Sheet	2.17(55)	7.71(195.8)	2.24(57)	5.51(140)
See Price Sheet	2.17(55)	7.71(195.8)	2.24(57)	5.51(140)
See Price Sheet	2.61(66.4)	8.13(206.5)	2.46(62.4)	5.91(150)
See Price Sheet	2.61(66.4)	8.58(218)	2.46(62.4)	6.30(160)
See Price Sheet	2.61(66.4)	8.98(228)	2.46(62.4)	6.69(170)

Electronic Ballast Dimensions:

Unit:in.(mm)

Model No.	L1	L2	L3	W1	W2	R	H1
See Price Sheet	3.46(88)	3.90(99)	4.25(108)	2.38(60.5)	3.66(93)	010(2.5)	1.57(40)
See Price Sheet	6.19(157.3)	6.63(168.3)	6.98(177.3)	2.38(60.5)	4.11(104.5)		1.89(48)
See Price Sheet	6.19(157.3)	6.63(168.3)	6.98(177.3)	2.38(60.5)	4.11(104.5)		1.89(48)
See Price Sheet	6.19(157.3)	6.63(168.3)	6.98(177.3)	2.38(60.5)	4.11(104.5)		1.89(48)
See Price Sheet	7.44(189)	7.91(201)	8.39(213)	2.76(70)	4.72(120)		2.09(53)
See Price Sheet	7.44(189)	7.91(201)	8.39(213)	2.76(70)	4.72(120)		2.09(53)
See Price Sheet	7.44(189)	7.91(201)	8.39(213)	2.76(70)	4.72(120)		2.09(53)
See Price Sheet	7.44(189)	7.91(201)	8.39(213)	2.76(70)	4.72(120)		2.09(53)

*The above data to change without notice.

ELECTRODELESS INDUCTION LAMPS



SELF-BALLASTED INDUCTION LAMP(12W - 40W)

Induction Lamp Specifications :

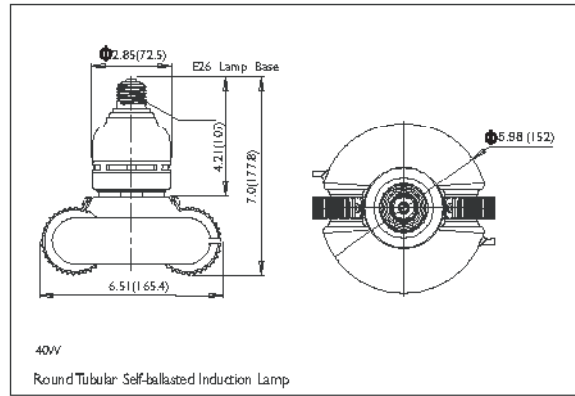
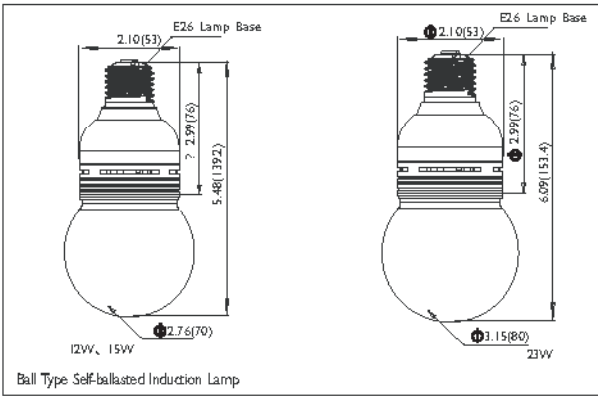
Product No.	Model No.	Wattage (W)	Operating Frequency (KHz)	Rated Initial Luminance (Lm)	Efficacy (Lm/W)	Luminance Maintenance (30 Khrs)	CRI	Color Temperature (K)	Average Lifetime (hrs)
See Price Sheet	See Price Sheet	12	450	720~780	60~65	70%	≥ 80	4000	30,000
See Price Sheet				900~975				5000	
See Price Sheet	15	350		1380~1495				4000	
See Price Sheet								5000	
See Price Sheet	See Price Sheet	23	250	2600~2800	65~70	70%	≥ 80	4000	
See Price Sheet								5000	
See Price Sheet	See Price Sheet	40	250	2600~2800	65~70	70%	≥ 80	4000	
See Price Sheet								5000	

- Note: 1、 Color Temperature 2720-6500 available upon request.
 2、 Operating ambient temperature 0°C ~ +50°C(without fixture, or with open fixture).
 3、 Operating ambient temperature -20°C ~ +40°C(wich enclosed fixture).

Product NO.

Ordering code : See Price Sheet

Unit: in. (mm)



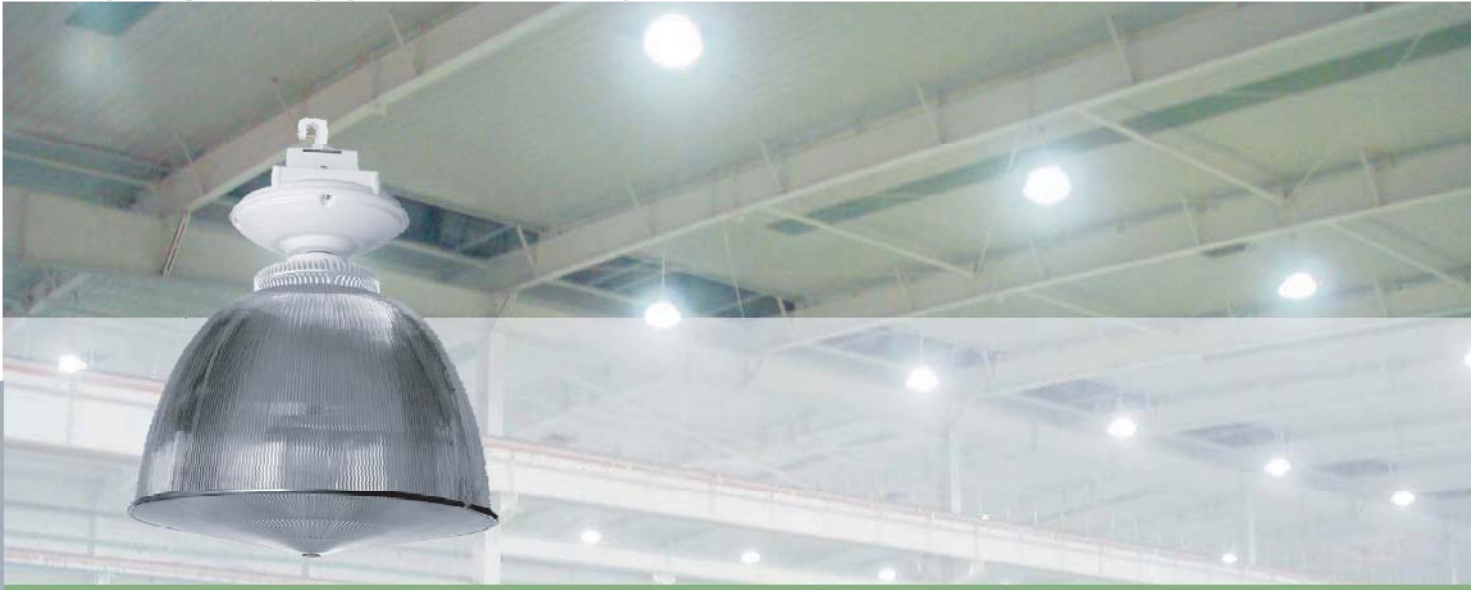
Electronic Ballast Specifications :

Model No.	Lamp Power (W)	Input Voltage (VAC)	Input Current (A)	Frequency (HZ)	Power Factor	Max Case Temperature (°C)
See Price Sheet	12	120	0.20	50-60	>0.5	<65
See Price Sheet	15		0.25			
See Price Sheet	23		0.39			
See Price Sheet	40	120/208/240/277	0.36/0.21/0.18/0.15		≥ 0.95	

Note: tolerance of input power ±5%.

* The above data subject to change without notice.

HIGH/LOW BAY LUMINAIRE



Features :

- Die cast aluminum ballast casing with powder coated finish for corrosion-resistance.
- Specially designed heat sink maximizes the heat dissipation.
- High temperature-resistant polycarbonate hood.

Lamp and ballast :

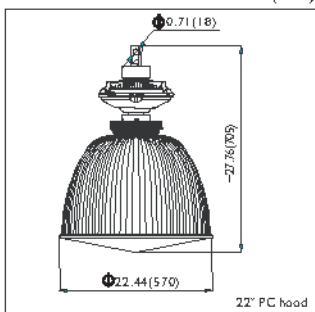
- Our 165W~250W ball type induction lamp features high lighting efficacy, long lifetime, good color rendering, stable output, etc.
- Our electronic ballast features high power factor (>0.95), flickering free, low loss, constant output, etc.



Applications :

- Stadium, workshop, warehouse, airport, railway station, gas station, amusement park, exhibition hall, supermarket.

Dimensions :



Fixture Specifications :

Product No.	Fixture Model No.	Lamp	Wattage (W)	Voltage (V)	Color Temperature (K)	Ambient Temperature (C°)	Installation	IP class
See Price Sheet	See Price Sheet	See Price Sheet	165	120~277	5000	-20°~+40°	Hook	IP43(Control gear)
See Price Sheet		See Price Sheet	200				Hanging pole	
		See Price Sheet	250					

Product NO.

Lamp

*Note: Color Temperature 2720-6500 available upon request.

Ordering code : See Price Sheet

Features :

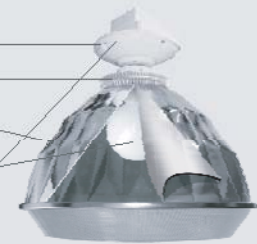
- Die cast aluminum ballast casing with powder coated finish for corrosion-resistance.
- Specially designed heat sink maximizes the heat dissipation
- High purity aluminum reflector with vacuum coated inner surface.

Lamp and ballast :

- Our 165W~250W ball type induction lamp features high lighting efficacy, long lifetime, good color rendering, stable output, etc.
- Our electronic ballast features high power factor (>0.95), flickering free, low loss, constant output, etc.

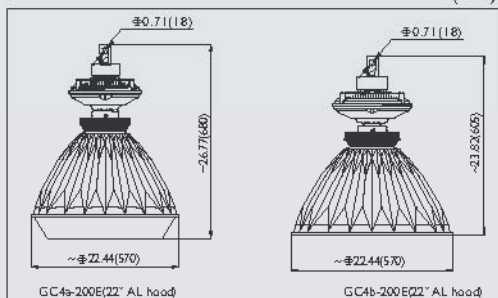
Applications :

- Stadium, workshop, warehouse, airport, railway station, gas station, amusement park, exhibition hall, supermarket.

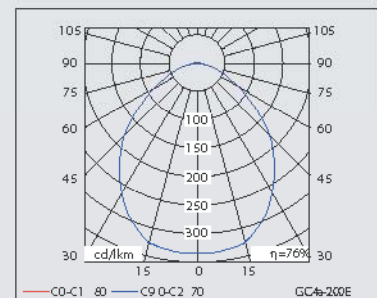


Dimensions :

Unit:in. (mm)



Photometric :



Fixture Specifications :

Product No.	Fixture Model No.	Lamp	Wattage (W)	Voltage (V)	Color Temperature (K)	Ambient Temperature (C°)	Installation	IP class	Note
See Price Sheet	See Price Sheet	See Price Sheet	165	120~277	5000	-20° ~+40°	Hook	IP43 (Control gear)	Acrylic lens
See Price Sheet		See Price Sheet					Hanging pole		
See Price Sheet	See Price Sheet	See Price Sheet	200	120~277	5000	-20° ~+40°	Hook		Tempered glass lens
See Price Sheet		See Price Sheet					Hanging pole		

Product NO.

Lamp

* Note:Color Temperature 2720-6500 available upon request.
 ** The above data subject to change without notice.

Ordering code : See Price Sheet

HIGH/LOW BAY LUMINAIRE



Features :

- Die cast aluminum ballast casing with powder coated finish for corrosion-resistance.
- Specially designed heat sink maximizes the heat dissipation
- High purity aluminum reflector with vacuum coated inner surface.

Lamp and ballast :

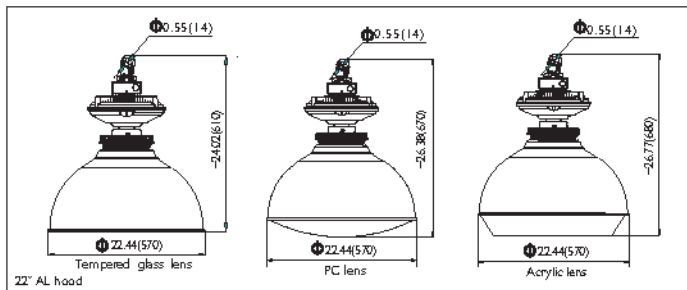
- Our I 65W ~ 250W ball type induction lamp features high lighting efficacy, long lifetime, good color rendering, stable output, etc.
- Our electronic ballast features high power factor (>0.95), flickering free, low loss, constant output, etc.

Applications :

- Stadium, workshop, warehouse, airport, railway station, gas station, amusement park, exhibition hall, supermarket.

Dimensions :

Unit: in. (mm)



Fixture Specifications :

Product No.	Fixture Model No.	Lamp	Wattage (W)	Voltage (V)	Color Temperature (K)	Ambient Temperature (C°)	Installation	IP class	Note
See Price Sheet	See Price Sheet	See Price Sheet	165	120~277	5000	-20° ~+40°	Hook	IP43(Control gear)	Optional lens: tempered glass, acrylic, PC
See Price Sheet		See Price Sheet	200						
See Price Sheet		See Price Sheet	250				Hanging pole		
		See Price Sheet							

Product NO.

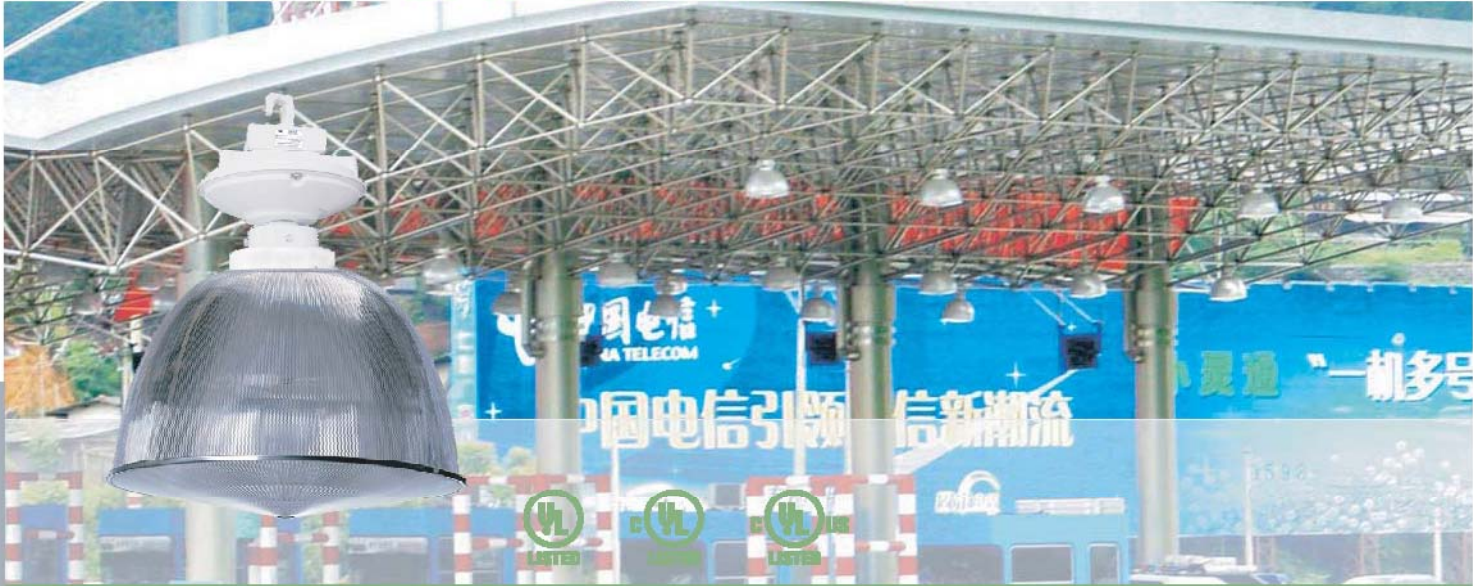
Lamp

* Note:Color Temperature 2720-6500 available upon request.

Ordering code : See Price Sheet

** The above data subject to change without notice.

HIGH/LOW BAY LUMINAIRE



Features :

- Die cast aluminum ballast casing with powder coated finish for corrosion-resistance.
- High temperature-resistant polycarbonate hood.
- Some models equipped with inner reflector.

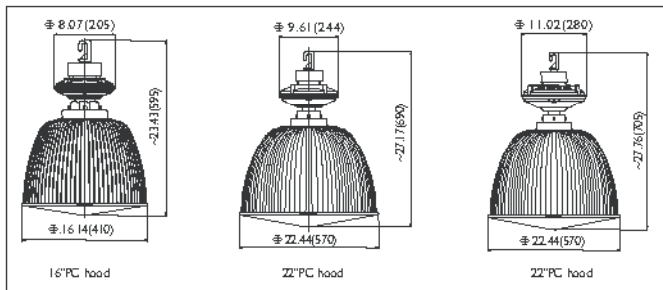
Lamp and ballast :

- Our 70W ~ 250W round tubular induction lamp features high lighting efficacy, long lifetime, good color rendering, stable output, etc.
- Our electronic ballast features high power factor (>0.95), flickering free, low loss, constant output, etc.

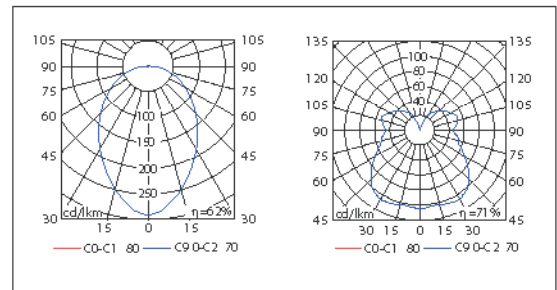
Applications :

- Stadium, workshop, warehouse, airport, railway station, gas station, amusement park, exhibition hall, supermarket.

Dimensions :



Photometric :



Fixture Specifications :

Product No.	Fixture Model No.	Lamp Wattage (W)	Voltage (V)	Color Temperature (K)	Ambient Temperature (C°)	Installation	IP class	UL CUL
See Price Sheet	See Price Sheet	See Price Sheet 70	120~277	5000	-20° ~+40°	Hook	IP43(C ontrol gear)	
See Price Sheet		See Price Sheet 80				Hanging pole		✓
See Price Sheet		See Price Sheet 100						
See Price Sheet	See Price Sheet	See Price Sheet 120				Hook		
See Price Sheet		See Price Sheet 150				Hanging pole		✓
See Price Sheet	See Price Sheet	See Price Sheet 200				Hook		
See Price Sheet			Hanging pole	✓				
See Price Sheet	See Price Sheet	See Price Sheet 250	Hook					
See Price Sheet			Hanging pole	✓				

Product NO.

Lamp

* Note:Color Temperature 2720-6500 available upon request.

Ordering code : See Price Sheet

**The above data is subject to change without notice.



Features :

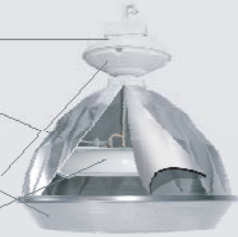
- Die cast aluminum ballast casing with powder coated finish for corrosion-resistance.
- High purity aluminum reflector with vacuum coated inner surface.
- Some models without lens, some models acrylic / flat tempered glass / polycarbonate lens, some models acrylic lens.

Lamp and ballast :

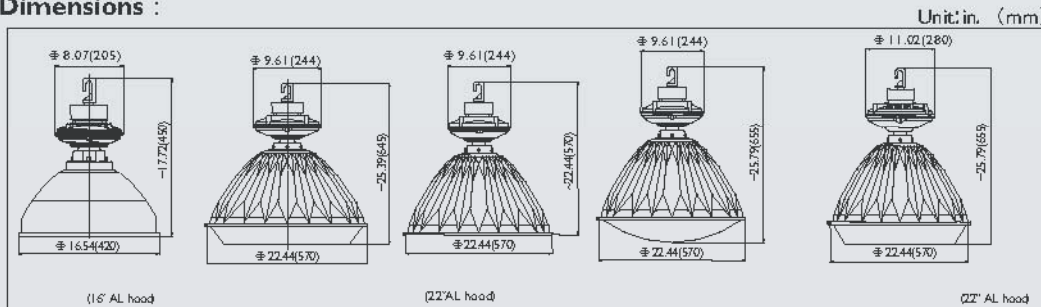
- Our 70W ~250W round tubular induction lamp features high lighting efficacy, long lifetime, good color rendering, stable output, etc.
- Our electronic ballast features high power factor (>0.95), flickering free, low loss, constant output, etc.

Applications :

- Stadium, workshop, warehouse, airport, railway station, gas station, amusement park, exhibition hall, supermarket.



Dimensions :



Fixture Specifications :

Product No.	Fixture Model No.	Lamp	Wattage (W)	Voltage (V)	Color Temperature (K)	Ambient Temperature (C°)	Installation	IP class	UL CUL
See Price Sheet	See Price Sheet	See Price Sheet	70	120~277	5000	0° ~+ 40°	Hook	IP43(Control gear)	
See Price Sheet		See Price Sheet	80				Hanging pole		✓
See Price Sheet		See Price Sheet	100				Hook		
See Price Sheet	See Price Sheet	See Price Sheet	120			Hanging pole	✓		
See Price Sheet		See Price Sheet	150			Hook			
See Price Sheet	See Price Sheet	See Price Sheet	200			Hanging pole	✓		
See Price Sheet		See Price Sheet	250			Hook			
See Price Sheet	See Price Sheet	See Price Sheet	250			Hanging pole	✓		
See Price Sheet		See Price Sheet							

* Note:Color Temperature 2720-6500 available upon request.

Ordering code :

See Price Sheet

** The above data subject to change without notice

Product NO. Lamp

HIGH/LOW BAY LUMINAIRE



Features :

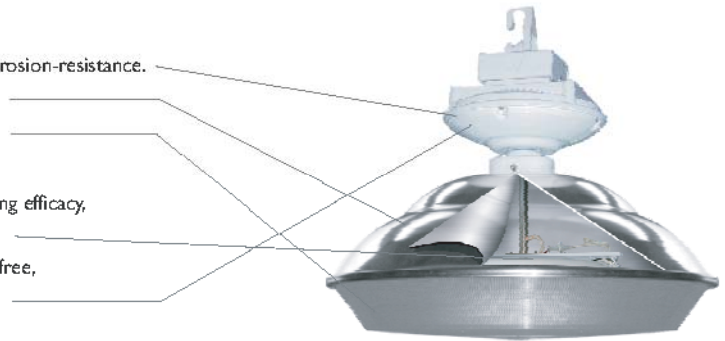
- Die cast aluminum ballast casing with powder coated finish for corrosion-resistance.
- High purity aluminum reflector with vacuum coated inner surface.
- Acrylic lens.

Lamp and ballast :

- Our 70W ~200W round tubular induction lamp features high lighting efficacy, long lifetime, good color rendering, stable output, etc.
- Our electronic ballast features high power factor (>0.95), flickering free, low loss, constant output, etc.

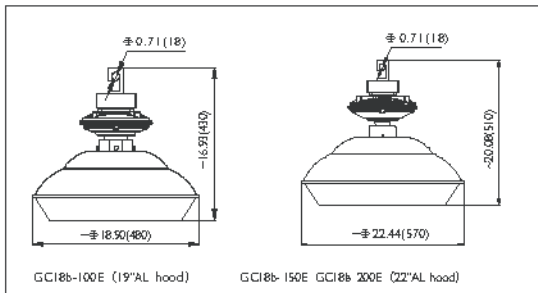
Applications :

- Stadium, workshop, warehouse, airport, railway station, gas station, amusement park, exhibition hall, supermarket.

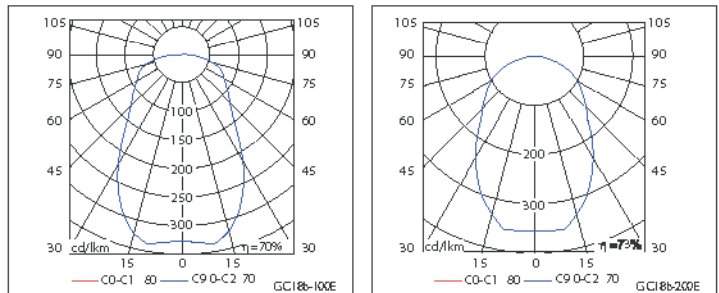


Dimensions :

Unit:in. (mm)



Photometric :



Fixture Specifications :

Product No.	Fixture Model No.	Lamp	Wattage (W)	Voltage (V)	Color Temperature (K)	Ambient Temperature (C°)	Installation	IP class	UL CUL
See Price Sheet	See Price Sheet	See Price Sheet	70	120~277	5000	-20° ~+40°	Hook	IP43(Control gear)	
See Price Sheet		See Price Sheet	80				Hanging pole		✓
See Price Sheet		See Price Sheet	100						
See Price Sheet	See Price Sheet	See Price Sheet	120				Hook		
See Price Sheet		See Price Sheet	150				Hanging pole		✓
See Price Sheet	See Price Sheet	See Price Sheet	200				Hook		
See Price Sheet		See Price Sheet			Hanging pole	✓			

Product NO.

Lamp

* Note:Color Temperature 2720-6500 available upon request.

Ordering code :See Price Sheet

** The above data is subject to change without notice

Features :

- Die cast aluminum ballast casing with powder coated finish for corrosion-resistance.
- High purity aluminum reflector with vacuum coated inner surface.
- Curve tempered glass lens.

Lamp and ballast :

- Our 70W~200W round tubular induction lamp features high lighting efficacy, long lifetime, good color rendering, stable output, etc.
- Ourelectronic ballast features high power factor (>0.95), flickering free, low loss, constant output, etc.

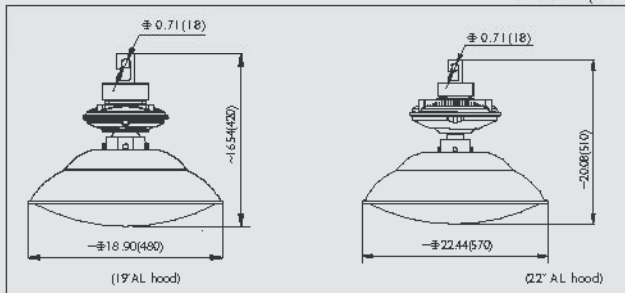
Applications :

- Stadium, workshop, warehouse, airport, railway station, gas station, amusementpark, exhibition hall, supermarket.

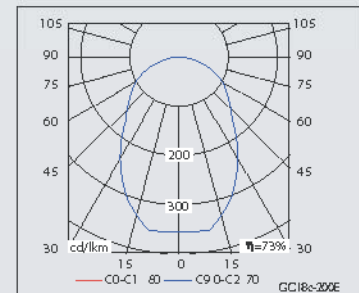


Dimensions :

Unit in. (mm)



Photometric :



Fixture Specifications :

Product No.	Fixture Model No.	Lamp	Wattage (W)	Voltage (V)	Color Temperature (K)	Ambient Temperature (C°)	Installation	IP class	UL CUL
See Price Sheet	See Price Sheet	See Price Sheet	70	120~277	5000	-20° ~+40°	Hook	IP43(Control gear)	
See Price Sheet		See Price Sheet	80				Hanging pole		✓
See Price Sheet	See Price Sheet	See Price Sheet	120				Hook		
See Price Sheet		See Price Sheet	150				Hanging pole		✓
See Price Sheet	See Price Sheet	See Price Sheet	200				Hook		
See Price Sheet							Hanging pole		✓

Ordering code :

Product NO. Lamp See Price Sheet

* Note: Color Temperature 2720-6500 available upon request.

** The above data subject to change without notice.

HIGH/LOW BAY LUMINAIRE



Features :

- Die cast aluminum ballast casing with powder coated finish for corrosion-resistance.
- High purity aluminum reflector with vacuum coated inner surface
- Polycarbonate lens.

Lamp and ballast :

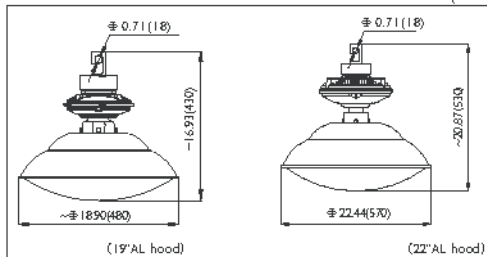
- Our 70W~200W round tubular induction lamp features high lighting efficacy, long lifetime, good color rendering, stable output, etc.
- Our electronic ballast features high power factor (>0.95), flickering free, low loss, constant output, etc.

Applications :

- Stadium, workshop, warehouse, airport, railway station, gas station, amusement park, exhibition hall, supermarket.

Dimensions :

Unit: in. (mm)



Product No.	Fixture Model No.	Lamp	Wattage (W)	Voltage (V)	Color Temperature (K)	Ambient Temperature (C°)	Installation	IP class	UL CUL
See Price Sheet	See Price Sheet	See Price Sheet	70	120~277	5000	-20° ~+ 40°	Hook	IP43(Control gear)	
See Price Sheet		See Price Sheet	80				Hanging pole		✓
See Price Sheet		See Price Sheet	100						
See Price Sheet	See Price Sheet	See Price Sheet	120				Hook		
See Price Sheet		See Price Sheet	150				Hanging pole		✓
See Price Sheet	See Price Sheet	See Price Sheet	200				Hook		
See Price Sheet		See Price Sheet		Hanging pole	✓				

Product NO.

Lamp

*Note:Color Temperature 2720-6500 available upon request.

Ordering code : See Price Sheet

** The above data is subject to change without notice.

Features :

- Die cast aluminum ballast casing with powder coated finish for corrosion-resistance.
- Strawberry shape high temperature-resistant polycarbonate cover.

Lamp and ballast :

- Our 200W,250W round tubular induction lamp features high lighting efficacy, long lifetime,good color rendering, stable output, etc.
- Our electronic ballast features high power factor (>0.95), flickering free, low loss, constant output, etc.

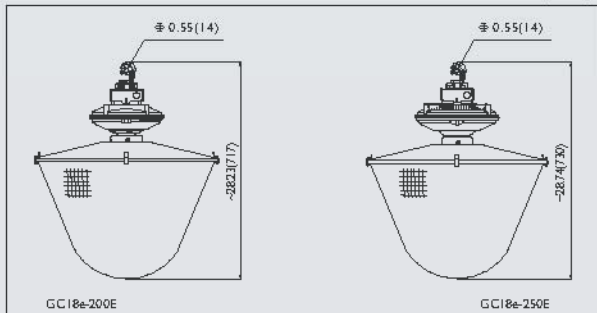
Applications :

- Stadium, workshop, warehouse, airport, railway station, gas station, amusement park, exhibition hall, supermarket.



Dimensions :

Unit:in. (mm)



Fixture Specifications :

Product No.	Fixture Model No.	Lamp	Wattage (W)	Voltage (V)	Color Temperature (K)	Ambient Temperature (C°)	Installation	IP class
See Price Sheet	See Price Sheet	See Price Sheet	200	120~277	5000	-20° ~ +40°	Hook	IP43(C ontrol gear)
See Price Sheet							Hanging pole	
See Price Sheet	See Price Sheet	250	Hook					
See Price Sheet			Hanging pole					

Product NO. Lamp

Ordering code : See Price Sheet

* Note:Color Temperature 2720-6500 available upon request.

** The above data subject to change without notice.

HIGH/LOW BAY LUMINAIRE



Features :

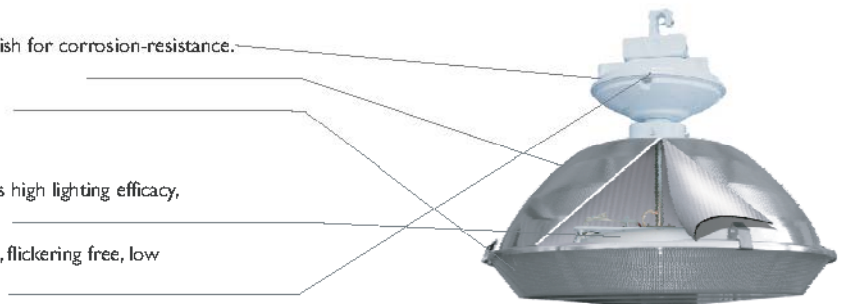
- Die cast aluminum ballast casing with powder coated finish for corrosion-resistance.
- High purity aluminum reflector.
- Acrylic lens.

Lamp and ballast :

- Our 250W~300W round tubular induction lamp features high lighting efficacy, long lifetime, good color rendering, stable output, etc.
- Our electronic ballast features high power factor (>0.95), flickering free, low loss, constant output, etc.

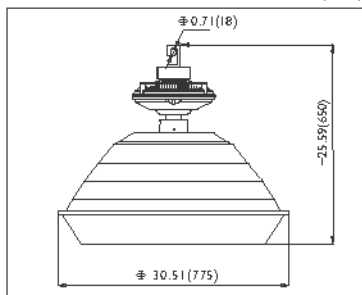
Applications :

- Stadium, workshop, warehouse, airport, railway station, gas station, amusement park, exhibition hall, supermarket.



Dimensions :

Unit: in. (mm)



Fixture Specifications :

Product No.	Fixture Model No.	Lamp	Wattage (W)	Voltage (V)	Color Temperature (K)	Ambient Temperature (C°)	Installation	IP class	UL CUL
See Price Sheet	See Price Sheet	See Price Sheet	250	120~277	5000	-20° ~ +40°	Hook	IP43(C control gear)	✓
See Price Sheet	See Price Sheet	See Price Sheet	300				Hanging pole		✓

Product NO. Lamp

* Note:Color Temperature 2720-6500 available upon request.

Ordering code : Se Price Sheet

** The above data subject to change without notice.

Features :

- Aluminum housing with powder coated finish for corrosion-resistance.
- Reflector made of high quality aluminum plate.
- Open structure for good ventilation and prolonged lifetime.
- Mounting: by hanging pole or "L" shape bracket.

Lamp and ballast :

- Our 400W square tubular induction lamp features high lighting efficacy, long lifetime, good color rendering, stable output, etc.
- Our electronic ballast features high power factor (>0.95), flickering free, low loss, constant output, etc.

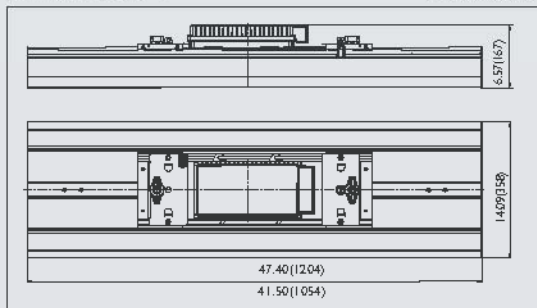
Applications:

- Warehouses, supermarkets, retail showrooms, exhibition halls, factories

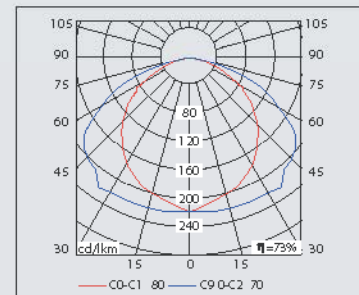


Dimensions :

Unit:in. (mm)



Photometric :



Fixture Specifications :

Product No.	Fixture Model No.	Lamp	Wattage (W)	Voltage (V)	Color Temperature (K)	Ambient Temperature (C°)	Installation	IP class	Note	UL CUL
See Price Sheet	See Price Sheet	See Price Sheet	400	120~277	5000	0° ~+40°	Hanging pole	IP20	ST400W Ø54	✓
See Price Sheet							"L"Shape bracket			
See Price Sheet	See Price Sheet	See Price Sheet	400	120~277	5000	0° ~+40°	Hanging pole	IP20	ST400W Ø58	✓
See Price Sheet							"L"Shape bracket			

Product NO.

Lamp

* Note:Color Temperature 2720-6500 available upon request.

Ordering code :

See Price Sheet

** The above data is subject to change without notice.

ROADWAY LUMINAIRE



Features :

- High pressure die cast aluminum alloy housing for corrosion resistance.
- Flat tempered glass lens.
- High purity aluminum reflector with vacuum coated inner surface.
- Optional photocell.
- Timer dimming function available upon request.

Lamp and ballast :

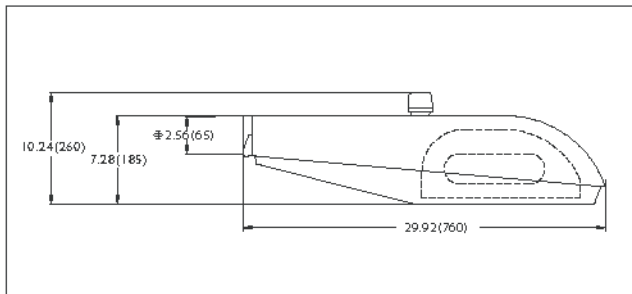
- Our 70W~100W round tubular induction lamp features high lighting efficacy, long lifetime, good color rendering, stable output, etc.
- Our electronic ballast features high power factor (>0.95), flickering free, low loss, constant output, etc.

Applications :

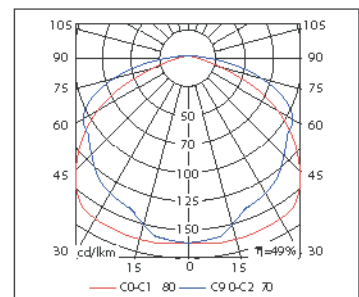
- Freeway, highway, parking lots, public entrances, off-street areas.

Dimensions :

Unit: in. (mm)



Photometric



Fixture Specifications :

Product No.	Fixture Model No.	Lamp	Wattage (W)	Voltage (V)	Color Temperature (K)	Ambient Temperature (°C)	Installation	IP class	Note	UL CUL
See Price Sheet	See Price Sheet	See Price Sheet	70	120~277	5000	-20° ~+40°	Round pole	IP55	Optional photocell	✓
See Price Sheet	See Price Sheet	See Price Sheet See Price Sheet	80 100							✓

Product NO.

Lamp

* Note:Color Temperature 2720-6500 available upon request.

Ordering code : See Price Sheet

** The above data subject to change without notice.

Features :

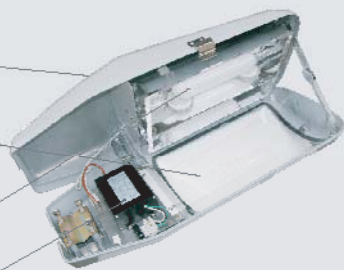
- ❑ Die cast aluminum ballast casing with powder coated finish for corrosion-resistance.
- ❑ Reflector made of high quality aluminum plate. Clear tempered glass lens with transmittance up to 90%.
- ❑ Timer dimming function available upon request.

Lamp and ballast :

- ❑ Our 100W~150W square tubular induction lamp features high lighting efficacy, long lifetime, good color rendering, stable output, etc.
- ❑ Our electronic ballast features high power factor (>0.95), flickering free, low loss, constant output, etc.

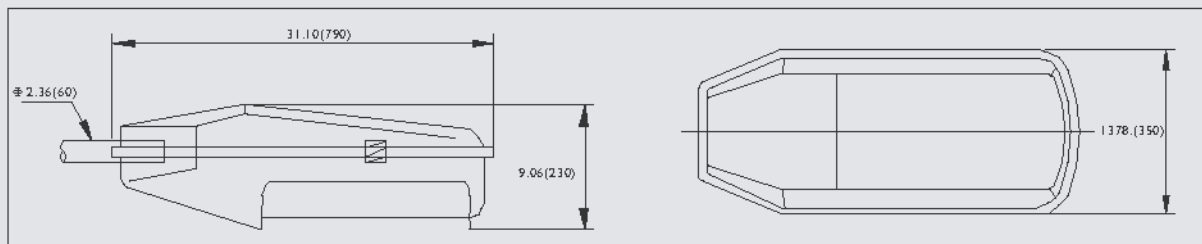
Applications :

- ❑ Freeway, highway, parking lots, public entrances, off-street areas.



Dimensions :

Unit: in. (mm)



Fixture Specifications :

Product No.	Fixture Model No.	Lamp	Wattage (W)	Voltage (V)	Color Temperature (K)	Ambient Temperature (C°)	Installation	IP class
See Price Sheet	See Price Sheet	See Price Sheet See Price Sheet See Price Sheet	100 120 150	120~277	5000	-20° ~ 40°	Round pole. Φ 60	IP54

Product NO.

Lamp

* Note: Color Temperature 2720-6500 available upon request.

Ordering code : See Price Sheet

** The above data subject to change without notice.

ROADWAY LUMINAIRE



Features :

- High pressure die cast aluminum alloy housing for corrosion resistance.
- High purity aluminum reflector with vacuum coated inner surface.
- Heat-resistant polycarbonate lens designed to optimize light distribution.
- Timer dimming function available upon request.

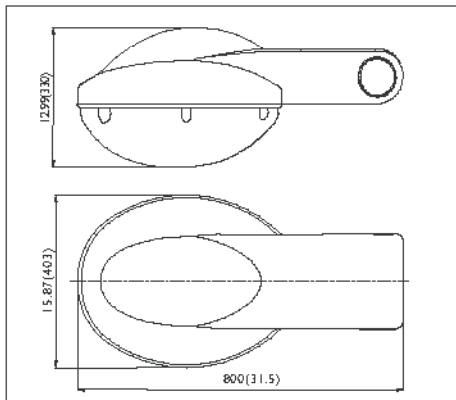
Lamp and ballast :

- Our 150W round tubular induction lamp features high lighting efficacy, long lifetime, good color rendering, stable output, etc.
- Our electronic ballast features high power factor (>0.95), flickering free, low loss, constant output, etc.

Applications :

- Freeway, highway, parking lots, public entrances, off-street areas.

Dimensions : Unit:in. (mm)



Fixture Specifications :

Product No.	Fixture Model No.	Lamp	Wattage (W)	Voltage (V)	Color Temperature (K)	Ambient Temperature (C°)	Installation	IP class
See Price Sheet	See Price Sheet	See Price Sheet	150	120~277	5000	-20° ~+40°	Round pole Φ 60	IP54

Product NO. **Lamp**

Ordering code : See Price Sheet

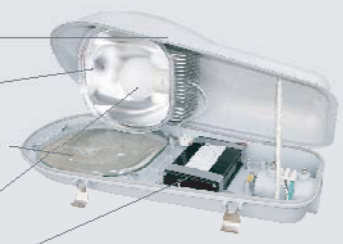
* Note:Color Temperature 2720-6500 available upon request

** The above data subject to change without notice.

ZD4-55E ZD4-80E

Features :

- High-pressure die cast aluminum frame and stretched aluminum housing with powder coating finish.
- High purity aluminum reflector with vacuum coated inner surface.
- Heat-resistant polycarbonate or tempered glass lens.
- Heat-resistant gas-tight silicone rubber seal.
- Timer dimming function available upon request.



Lamp and ballast :

- Our 55W ball type or 40-80W round tubular induction lamp features high lighting efficacy, long lifetime, good color rendering, stable output, etc.
- Our electronic ballast features high power factor (>0.95), flickering free, low loss, constant output, etc.

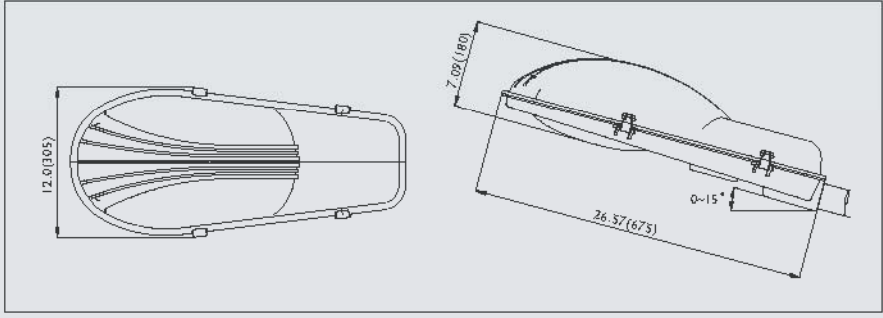
Applications :

- Freeway, highway, parking lots, public entrances, off-street areas.



Dimensions :

Unit:in. (mm)



Fixture Specifications :

Product No.	Fixture Model No.	Lamp	Wattage (W)	Voltage (V)	Color Temperature (K)	Ambient Temperature (C°)	Installation
See Price Sheet	See Price Sheet	See Price Sheet	55	120~277	5000	-20° ~+ 40°	Round pole Φ 50
See Price Sheet	See Price Sheet	See Price Sheet	40				
		See Price Sheet	70				
		See Price Sheet	80				

Product NO. Lamp

* Note:Color Temperature 2720-6500 available upon request

Ordering code : See Price Sheet

** The above data subject to change without notice.

ROADWAY LUMINAIRE



Features :

- Newest type high wattage induction lighting fixture with novel design and beautiful contour.
- High-pressure die cast alloy aluminum lamp frame and strong stretched aluminum alloy upper casing with the surface of electrostatic painting for corrosion resistance and durable use.
- High purity aluminum reflector with vacuum coated inner surface.
- Clear tempered glass lens or polycarbonate (PC) lens available.
- Heat-resistant silicone rubber sealing ring to ensure high level of IP rating.
- Optional photocell to maximize energy saving.
- Timer dimming function available upon request.

Lamp and ballast :

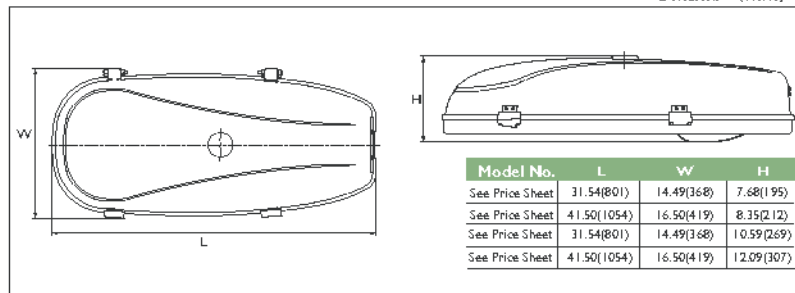
- Our 100W~250W square tubular induction lamp features high lighting efficacy, long lifetime, good color rendering, stable output, etc.
- Our electronic ballast features high power factor (>0.95), flickering free, low loss, constant output, etc.

Applications :

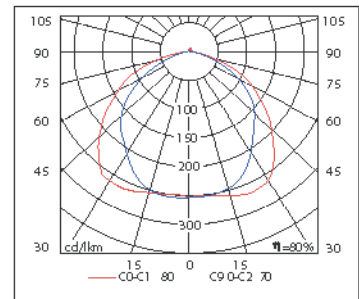
- Freeway, highway, parking lots, public entrances, off-street areas.

Dimensions :

Unit:in. (mm)



Photometric :



Fixture Specifications :

Product No.	Fixture Model No.	Lamp	Wattage (W)	Voltage (V)	Color Temperature (K)	Ambient Temperature (C°)	Installation	IP class	Note
See Price Sheet	See Price Sheet	See Price Sheet	100	120~277	5000	-20° ~40°	Round pole Φ 60	IP55	Tempered glass lens
See Price Sheet	See Price Sheet	See Price Sheet	120						PC lens
See Price Sheet	See Price Sheet	See Price Sheet	150						Tempered glass lens
See Price Sheet	See Price Sheet	See Price Sheet	200						PC lens
See Price Sheet	See Price Sheet	See Price Sheet	250						

Product NO. Lamp

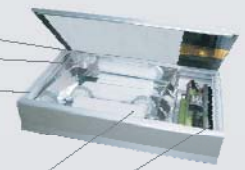
* Note:Color Temperature 2720-6500 available upon request.

Ordering code : See Price Sheet

** The above data subject to change without notice.

Features :

- Square profiled aluminum housing concealed with two extruded welding side covers for high IP rating.
- Anodized aluminum reflector and clear tempered glass lens are designed to optimize light distribution.
- Gas-tight silicon rubber seal made for wet locations. Front opening structure, easy for maintenance.
- 100W fixture with emergency function: DC 24V running for two hours with 25W lamp watt dimming during power off. Emergency lamp watts and emergency time can be varied upon request.



Lamp and ballast :

- Our 100W square tubular induction lamp features high lighting efficacy, long lifetime, good color rendering, stable output, etc, improving driving environment and safety, saving energy and decreasing overall running cost.
- Our electronic ballast features high power factor (>0.95), flickering free, low loss, constant output, etc.

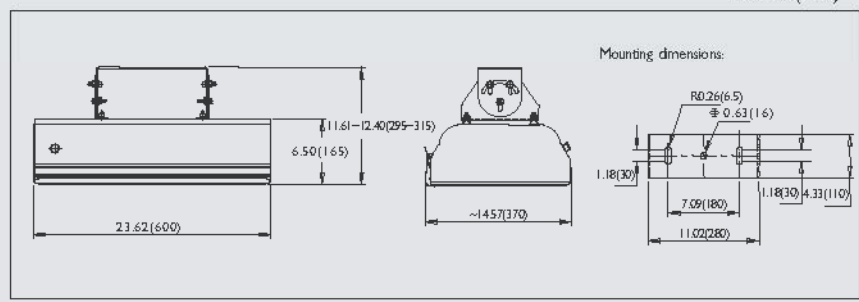
Applications :

- Tunnel, freeway, highway, parking lots, public entrances, off-street areas.

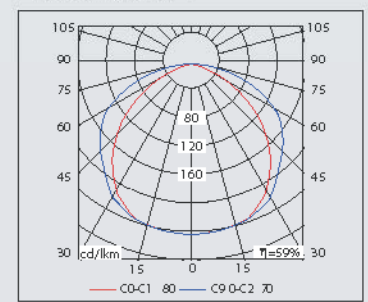


Dimensions :

Unit: in. (mm)



Photometric :



Fixture Specifications :

Product No.	Fixture Model No.	Lamp	Wattage (W)	Voltage (V)	Color Temperature (K)	Ambient Temperature (C°)	Installation	IP class
See Price Sheet	See Price Sheet	See Price Sheet	100	120~277	5000	-20° ~+ 40°	"U" bracket, horizontal ±30°	IP65

Product NO. Lamp

* Note:Color Temperature 2720-6500 available upon request.

Ordering code : See Price Sheet

** The above data is subject to change without notice.

TUNNEL LUMINAIRE



Features :

- Square profiled aluminum housing concealed with two extruded welding side covers for high IP rating.
- Anodized aluminum reflector and clear tempered glass lens are designed to optimize light distribution.
- Gas-tight silicon rubber seal made for wet locations.
- Front opening structure, easy for maintenance.

Lamp and ballast :

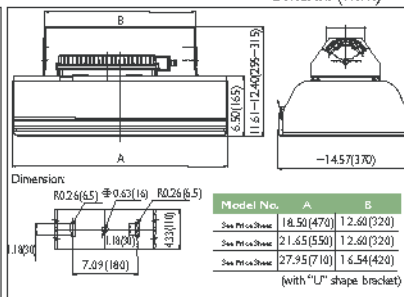
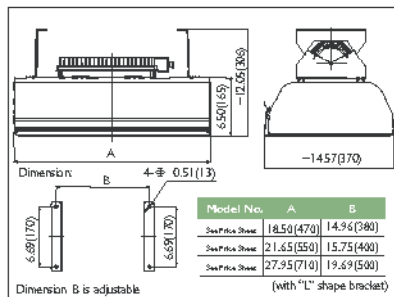
- Our 70W ~200W square tubular induction lamp features high lighting efficacy, long lifetime, good color rendering, stable output, etc.
- Our electronic ballast features high power factor (>0.95), flickering free, low loss, constant output, etc.



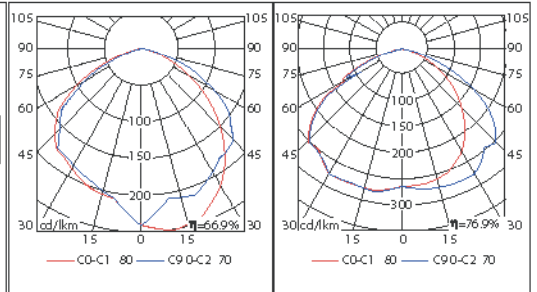
Applications :

- Tunnel, freeway, highway, parking lots, public entrances, off-street areas.

Dimensions :



Photometric :



Fixture Specifications :

Product No.	Fixture Model No.	Lamp	Wattage (W)	Voltage (V)	Color Temperature (K)	Ambient Temperature (C°)	Installation	IP class	UL CUL
See Price Sheet	See Price Sheet	See Price Sheet	70	120~277	5000	-20° ~+40°	"U" bracket, horizontal ±30°	IP65	
See Price Sheet		See Price Sheet	80				"L" bracket, horizontal ±30°		✓
See Price Sheet		See Price Sheet	100				"U" bracket, horizontal ±30°		
See Price Sheet	See Price Sheet	See Price Sheet	120	120~277	5000	-20° ~+40°	"U" bracket, horizontal ±30°	IP65	
See Price Sheet		See Price Sheet	150				"L" bracket, horizontal ±30°		✓
See Price Sheet	See Price Sheet	See Price Sheet	200	120~277	5000	-20° ~+40°	"U" bracket, horizontal ±30°	IP65	
See Price Sheet		See Price Sheet					"L" bracket, horizontal ±30°		✓

Product NO. Lamp

* Note: Color Temperature 2720-6500 available upon request.

Ordering code : See Price Sheet

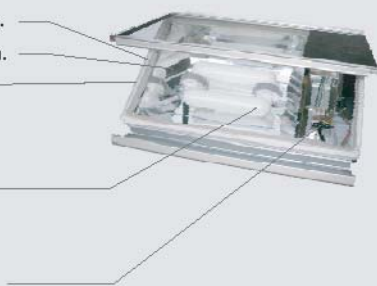
** The above data is subject to change without notice.

Features :

- Square profiled aluminum housing concealed with two extruded welding side covers for high IP rating.
- Anodized aluminum reflector and clear tempered glass lens are designed to optimize light distribution.
- Gas-tight silicon rubber seal made for wet locations.
- Front opening structure, easy for maintenance.

Lamp and ballast :

- Our 70W ~200W square tubular induction lamp features high lighting efficacy, long lifetime, good color rendering, stable output, etc, improving driving environment and safety ,saving energy and decreasing overall running cost.
- Our electronic ballast features high power factor (>0.95), flickering free, low loss, constant output, etc.

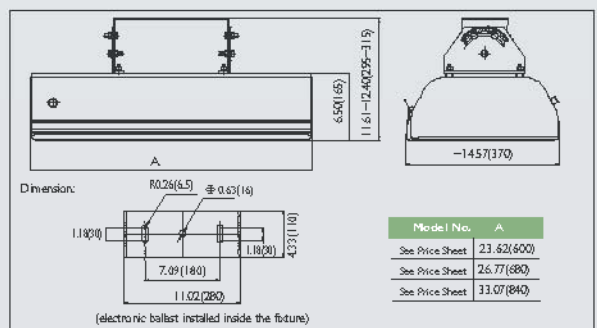


Applications :

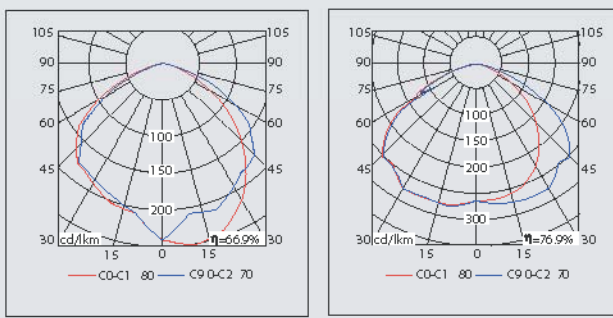
- Tunnel, freeway, highway, parking lots, public entrances, off-street areas.



Dimensions :



Photometric :



Fixture Specifications :

Product No.	Fixture Model No.	Lamp	Wattage (W)	Voltage (V)	Color Temperature (K)	Ambient Temperature (C°)	Installation	IP class
See Price Sheet	See Price Sheet	See Price Sheet See Price Sheet See Price Sheet	70 80 100	120~277	5000	-20° ~+40°	"U" bracket, horizontal ±30°	IP65
See Price Sheet	See Price Sheet	See Price Sheet See Price Sheet	120 150				"U" bracket, horizontal ±30°	
See Price Sheet	See Price Sheet	See Price Sheet	200				"U" bracket, horizontal ±30°	

Product NO. **Lamp**

* Note:Color Temperature 2720-6500 available upon request.

Ordering code : See Price Sheet

** The above data is subject to change without notice.

TUNNEL LUMINAIRE

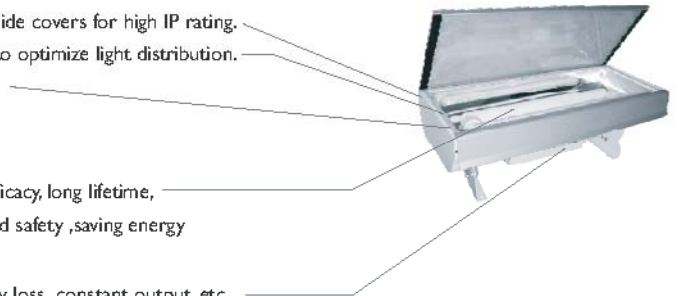


Features :

- Square profiled aluminum housing concealed with two extruded welding side covers for high IP rating.
- Anodized aluminum reflector and clear tempered glass lens are designed to optimize light distribution.
- Gas-tight silicon rubber seal made for wet locations.
- Front opening structure, easy for maintenance.

Lamp and ballast :

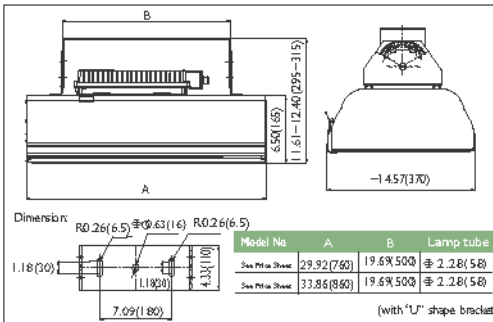
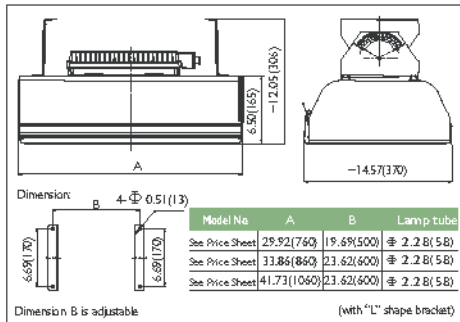
- Our 250W ~400W square tubular induction lamp features high lighting efficacy, long lifetime, good color rendering, stable output, etc, improving driving environment and safety, saving energy and decrease overall running cost.
- Our electronic ballast features high power factor (>0.95), flickering free, low loss, constant output, etc.



Applications :

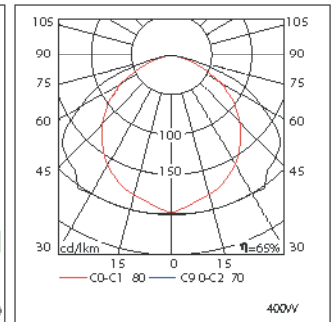
- Tunnel, freeway, highway, parking lots, public entrances, off-street areas.

Dimensions :



Unit: in. (mm)

Photometric :



Fixture Specifications :

Product No.	Fixture Model No.	Lamp	Wattage (W)	Voltage (V)	Color Temperature (K)	Ambient Temperature (C°)	Installation	IP class	Lamp tube
See Price Sheet	See Price Sheet	See Price Sheet	250	120~277	5000	-20° ~+40°	"U" bracket, horizontal ±30°	IP65	φ 2.28(58)
See Price Sheet							"L" bracket, horizontal ±30°		
See Price Sheet	See Price Sheet	See Price Sheet	300				"U" bracket, horizontal ±30°		
See Price Sheet							"L" bracket, horizontal ±30°		
See Price Sheet	See Price Sheet	See Price Sheet	400				"L" bracket, horizontal ±30°		

Product NO.

Lamp

* Note: Color Temperature 2720-6500 available upon request.

Ordering code : See Price Sheet

** The above data is subject to change without notice.

Features :

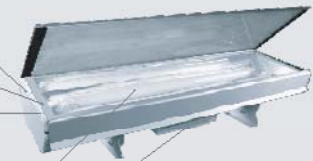
- Square profiled aluminum housing concealed with two extruded welding side covers for high IP rating.
- Anodized aluminum reflector and clear tempered glass lens are designed to optimize light distribution.
- Gas-tight silicon rubber seal made for wet locations.
- Front opening structure, easy for maintenance.

Lamp and ballast :

- Our 250W~400W square tubular induction lamp features high lighting efficacy, long lifetime, good color rendering, stable output, etc.
- Our electronic ballast features high power factor (>0.95), flickering free, low loss, constant output, etc.

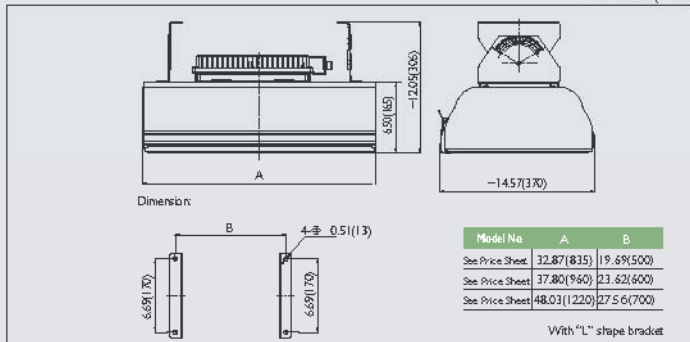
Applications :

- Stadium, workshop, warehouse, airport, railway station, gas station, amusement park, exhibition hall, supermarket.

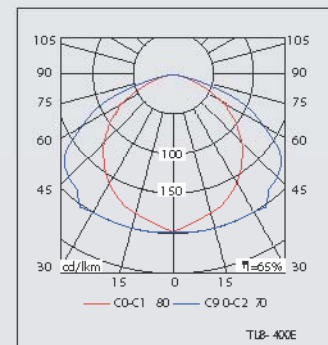


Dimensions :

Unit:in. (mm)



Photometric :



Fixture Specifications :

Product No.	Fixture Model No.	Lamp	Wattage (W)	Voltage (V)	Color Temperature (K)	Ambient Temperature (C°)	Installation	IP class	UL CUL
See Price Sheet	See Price Sheet	See Price Sheet	250	120~277	5000	-20° ~+40°	'L" bracket, horizontal ±30°	IP65	✓
See Price Sheet	See Price Sheet	See Price Sheet	300				'L" bracket, horizontal ±30°		✓
See Price Sheet	See Price Sheet	See Price Sheet	400				'L" bracket, horizontal ±30°		✓
See Price Sheet							Hanging pole		✓

Product NO. Lamp

* Note:Color Temperature 2720-6500 available upon request.

Ordering code : See Price Sheet

** The above data is subject to change without notice.

INDOOR LUMINAIRE

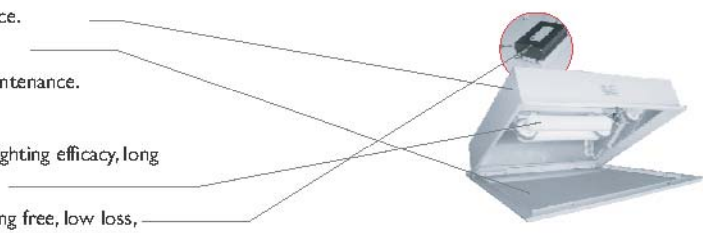


Features :

- Recessed fixture for indoor use.
- Iron housing with powder coated surface for corrosion resistance.
- UV stabilized and heat resistant polycarbonate lens.
- Light weight and compact structure for easy installation and maintenance.

Lamp and ballast :

- Our 100W~150W square tubular induction lamp features high lighting efficacy, long lifetime, good color rendering stable output, etc.
- Our electronic ballast features high power factor (>0.95), flickering free, low loss, constant output, etc.

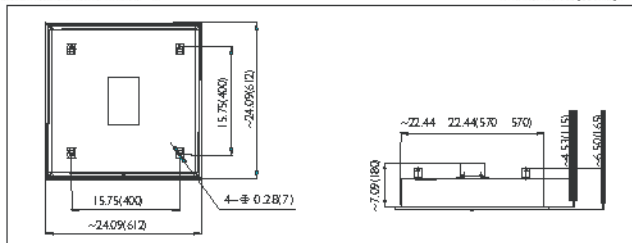


Applications :

- Office, shopping malls, railway station, schools, workshop, etc.

Dimensions :

Unit: in. (mm)



* Remark: Customized size and mounting available upon request.

Fixture Specifications :

Product No.	Fixture Model No.	Lamp	Wattage (W)	Voltage (V)	Color Temperature (K)	Ambient Temperature (C°)	Installation	IP class
See Price Sheet	See Price Sheet	See Price Sheet	100	120~277	5000	0° ~+40°	Recessed	IP20
		See Price Sheet	120					
		See Price Sheet	150					

Product NO.

Lamp

* Note: Color Temperature 2720-6500 available upon request.

Ordering code : See Price Sheet

** The above data is subject to change without notice.

Features :

- White powder coated steel frame for corrosion resistance.
- Low glare, anodized aluminum parabolic louver for excellent visual control.

Lamp and ballast :

- Our 250W(Φ 38) or 400W(Φ 54) square tubular induction lamp features high lighting efficacy, long lifetime, good color rendering, stable output, etc.
- Our electronic ballast features high power factor (>0.95), flickering free, low loss, constant output, etc.

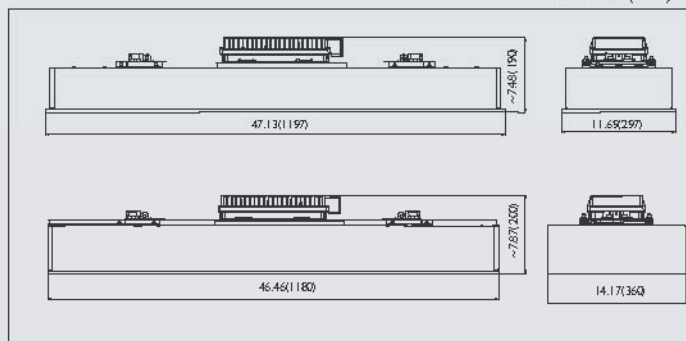
Applications :

- Office, shopping malls, railway station, schools, workshop, etc.

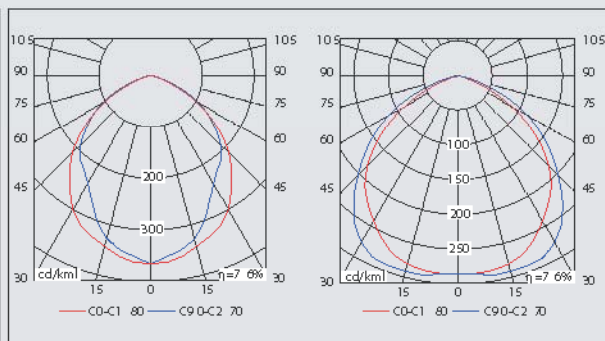


Dimensions :

Unit:in. (mm)



Photometric :



Fixture Specifications :

Product No.	Fixture Model No.	Lamp	Wattage (W)	Voltage (V)	Color Temperature (K)	Ambient Temperature (C°)	Installation	IP class
See Price Sheet	See Price Sheet	See Price Sheet	250	120~277	5000	0° ~+40°	Hanging pole	IP20
See Price Sheet			See Price Sheet				400	
See Price Sheet	See Price Sheet	400		Hanging pole				
See Price Sheet			Chain					

Product NO. Lamp

*Note:Color Temperature 2720-6500 available upon request.

Ordering code : See Price Sheet

** The above data is subject to change without notice.

GARAGE LUMINAIRE

http://www.adgacolp.com

Garage Luminaire

37



Features :

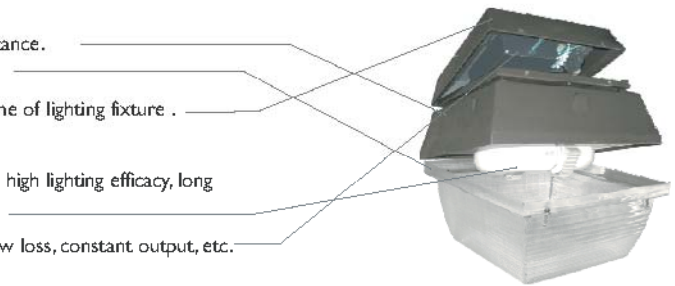
- Die cast aluminum housing with powder coated finish for corrosion-resistance.
- UV stabilized polycarbonate lens.
- Separated control gear used to improve heat dispersion and extend lifetime of lighting fixture .

Lamp and ballast :

- Our 85W ball type or 70W~100W round tubular induction lamp features high lighting efficacy, long lifetime, good color rendering, stable output, etc.
- Our electronic ballast features high power factor (>0.95), flickering free, low loss, constant output, etc.

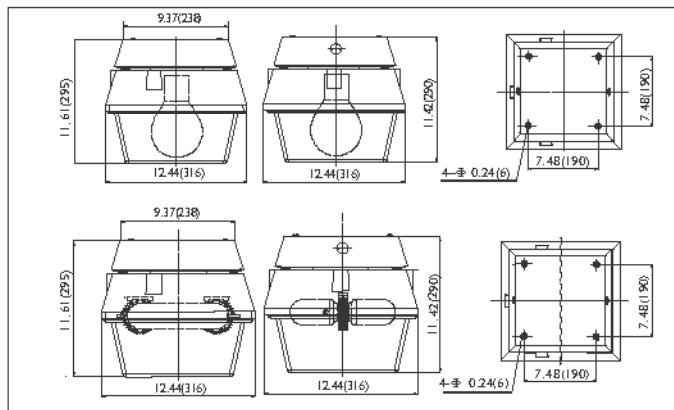
Applications :

- Parking garages, gas stations, warehouse, etc.



Dimensions :

Unit:in. (mm)



Remark: recommended position and diameter of mounting holes are shown above.

Fixture Specifications :

Product No.	Fixture Model No.	Lamp	Wattage (W)	Voltage (V)	Color Temperature (K)	Ambient Temperature (C°)	Installation	IP class	UL CUL
See Price Sheet	See Price Sheet	See Price Sheet	85	120~277	5000	-20° ~+40°	Roof mount	IP43	✓
See Price Sheet	See Price Sheet	See Price Sheet	70						
See Price Sheet	See Price Sheet	See Price Sheet	80						
See Price Sheet	See Price Sheet	See Price Sheet	100						✓

Product NO.

Lamp

**Note:Color Temperature 2720-6500 available upon request.

Ordering code : See Price Sheet.

** The above data is subject to change without notice

Features :

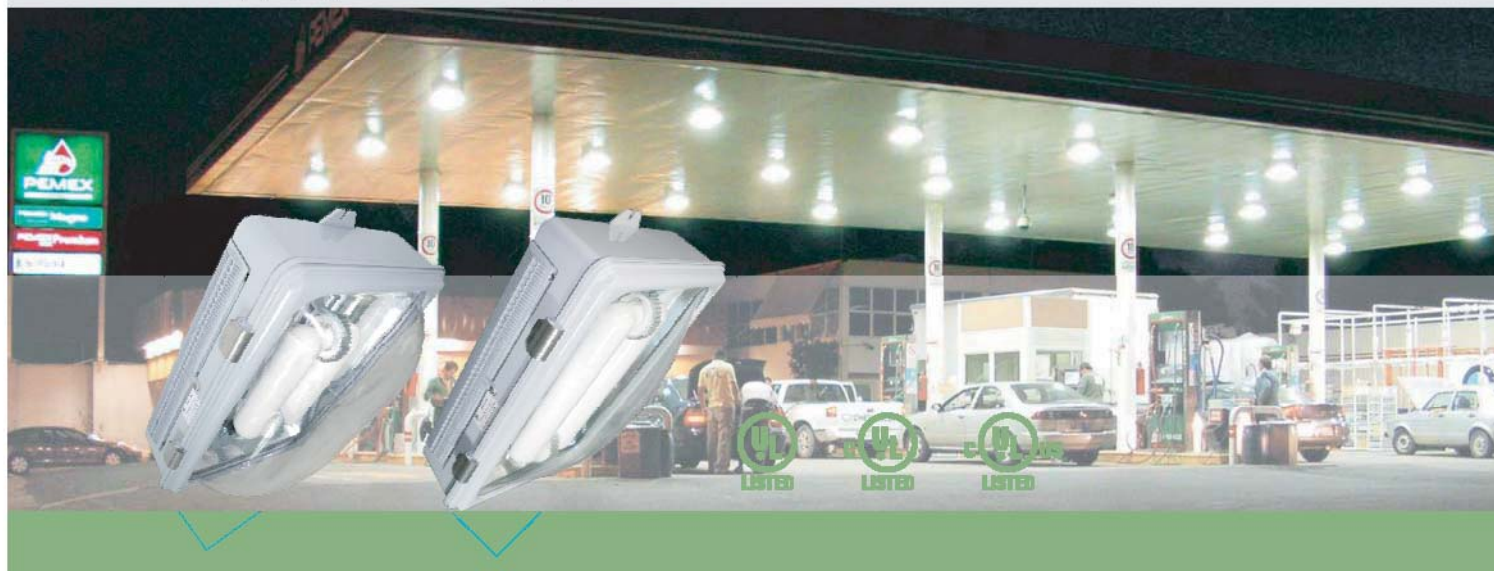
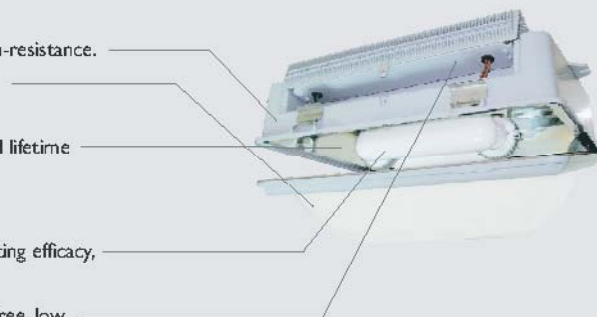
- Die cast aluminum housing with powder coated finish for corrosion-resistance.
- Clear tempered glass lens with beautiful contour or UV stabilized and heat resistant polycarbonate lens
- Separated control gear used to improve heat dispersion and extend lifetime of lighting fixture .

Lamp and ballast :

- Our 100W ~150W square tubular induction lamp features high lighting efficacy, long lifetime, good color rendering, stable output, etc,
- Our electronic ballast features high power factor (>0.95), flickering free, low loss, constant output, etc.

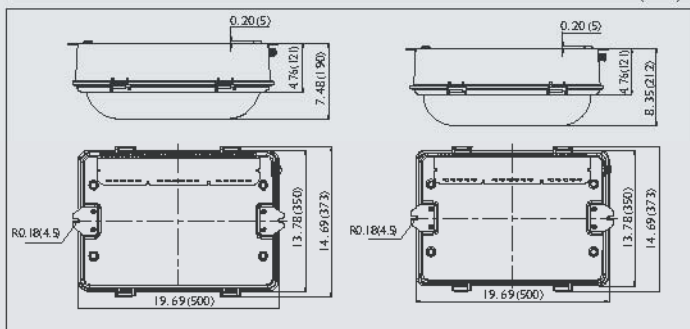
Applications :

- Parking garages, gas stations, schools, shopping malls.

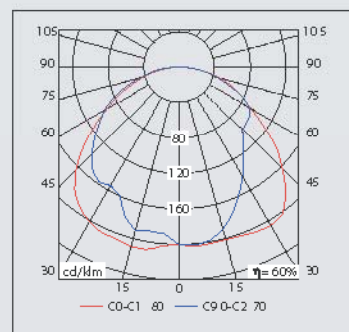


Dimensions :

Unit:in. (mm)



Photometric :



Fixture Specifications :

Product No.	Fixture Model No.	Lamp	Wattage (W)	Voltage (V)	Color Temperature (K)	Ambient Temperature (C°)	Installation	IP class	Note	UL CUL
See Price Sheet	See Price Sheet	See Price Sheet	70	120~277	5000	-20° ~+40°	Roof mount	IP65	Curve tempered glass lens.	—
See Price Sheet	See Price Sheet	See Price Sheet	80							✓
See Price Sheet	See Price Sheet	See Price Sheet	100							✓
See Price Sheet	See Price Sheet	See Price Sheet	70	120~277	5000	-20° ~+40°	Roof mount	IP65	PC lens	—
See Price Sheet	See Price Sheet	See Price Sheet	80							✓
See Price Sheet	See Price Sheet	See Price Sheet	100							✓
See Price Sheet	See Price Sheet	See Price Sheet	120	120~277	5000	-20° ~+40°	Roof mount	IP65	PC lens	—
See Price Sheet	See Price Sheet	See Price Sheet	150							✓

Product NO.

Lamp

*Note:Color Temperature 2720-6500 available upon request.

Ordering code : See Price Sheet.

** The above data is subject to change without notice.

FREEZER LUMINAIRE

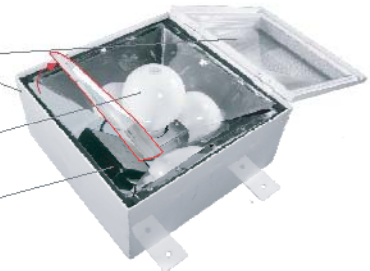


Features :

- Aluminum housing with powder coated finish for corrosion-resistance.
- UV stabilized and heat resistant polycarbonate lens

Lamp and ballast:

- Our 85W ball type induction lamp features high lighting efficacy, long lifetime, good color rendering, stable output, etc.
- Our electronic ballast features high power factor (>0.95), flickering free, low loss, constant output, etc.

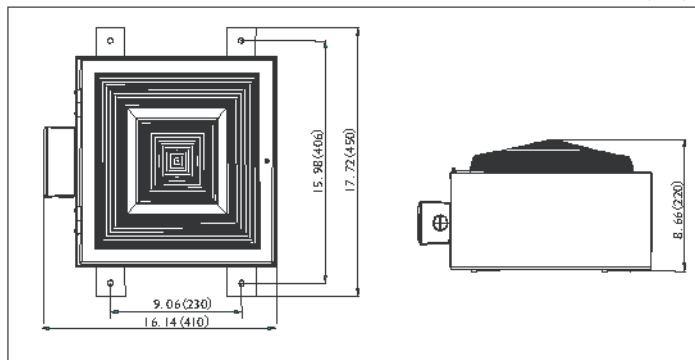


Applications :

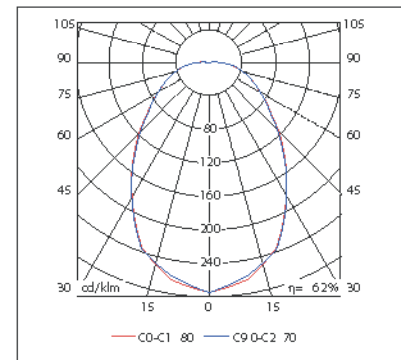
- Freezers, parking garages, gas stations, schools, shopping malls.

Dimensions :

Unit:in. (mm)



Photometric :



Fixture Specifications :

Product No.	Fixture Model No.	Lamp	Wattage (W)	Voltage (V)	Color Temperature (K)	Ambient Temperature (C°)	Installation	IP class	UL CUL
See Price Sheet	See Price Sheet	See Price Sheet	85	120~277	5000	-40° ~0°	Roof mount	IP43	✓

Product NO.

Lamp

**Note:Color Temperature 2720-6500 available upon request.

Ordering code : See Price Sheet

* The above data is subject to change without notice.

Features :

- Die cast aluminum housing with powder coated finish for corrosion-resistance.
- Anodized aluminum reflector and clear tempered glass lens are designed to optimize light distribution.
- Gas-tight silicon rubber seal made for wet locations.

Lamp and ballast:

- Our 70W~100W square tubular induction lamp features high lighting efficacy, long lifetime, good color rendering, stable output, etc.
- Our electronic ballast features high power factor (>0.95), flickering free, low loss, constant output, etc.

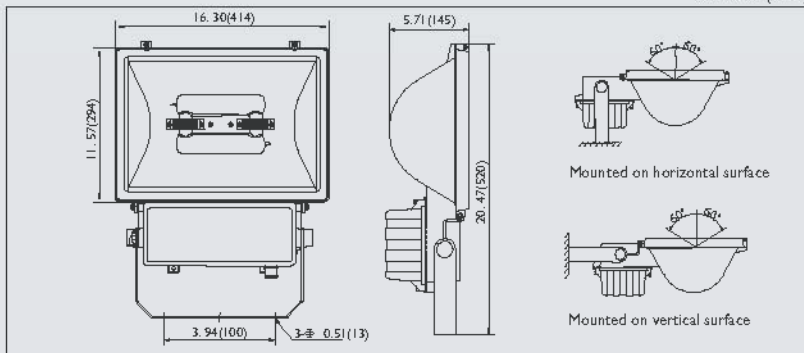
Applications :

- Billboards, buildings, parks, pools, parking lots, plazas, tennis courts.

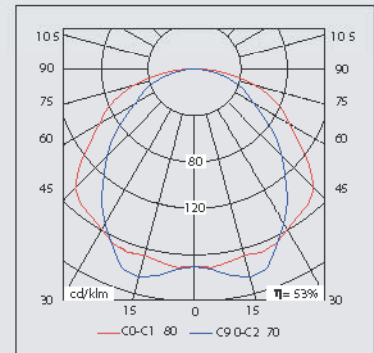


Dimensions :

Unit: in. (mm)



Photometric :



Fixture Specifications :

Product No.	Fixture Model No.	Lamp	Wattage (W)	Voltage (V)	Color Temperature (K)	Ambient Temperature (C°)	Installation	IP class	Note	UL CUL					
See Price Sheet	See Price Sheet	See Price Sheet	70	120~277	5000	-20° ~+40°	Bracket	IP65	Upward						
		See Price Sheet	80												
		See Price Sheet	100												✓

* Note: Color Temperature 2720-6500 available upon request
 Fixture for downward usage available upon request.

Ordering code : **Product NO.** **Lamp**
 See Price Sheet

** The above date is subject to change without notice.

FLOOD LUMINAIRE



Features :

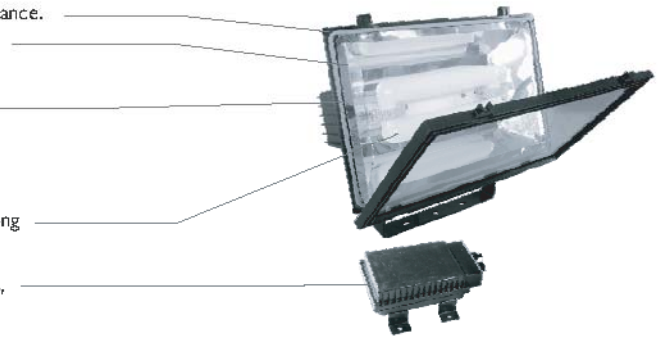
- Die cast aluminum housing with black powder coated finish for corrosion-resistance.
- Anodized aluminum reflector and clear tempered glass lens are designed to optimize light distribution.
- Gas-tight silicon rubber seal made for wet locations.
- Separated ballast casing for easy installation.

Lamp and ballast:

- Our 120VV, 150VV square tubular induction lamp features high lighting efficacy, long lifetime, good color rendering, stable output, etc.
- Our electronic ballast features high power factor (>0.95), flickering free, low loss, constant output, etc.

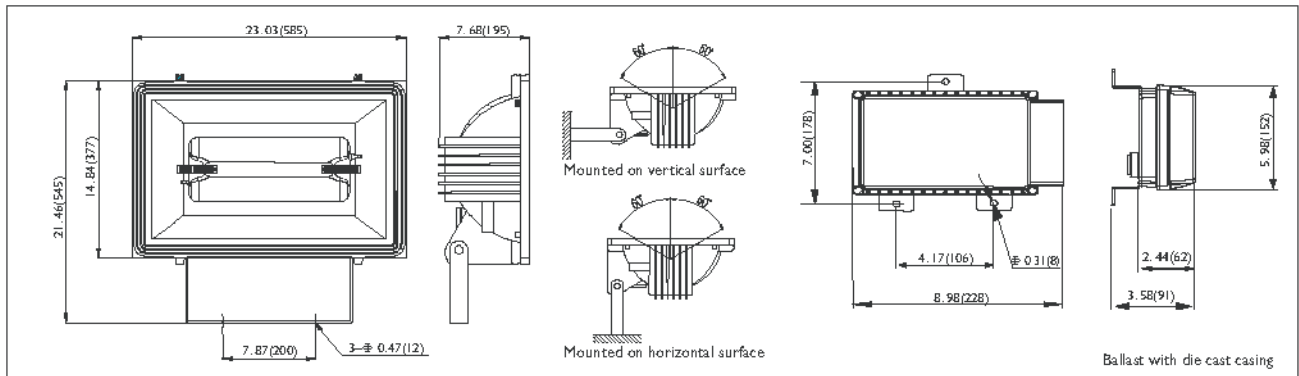
Applications :

- Billboards, buildings, parks, pools, parking lots, plazas, tennis courts.



Dimensions :

Unit:in. (mm)



Fixture Specifications :

Product No.	Fixture Model No.	Lamp	Wattage (W)	Voltage (V)	Color Temperature (K)	Ambient Temperature (°C)	Installation	IP class	Note
See Price Sheet	See Price Sheet	See Price Sheet See Price Sheet	120 150	120~277	5000	-20° ~+40°	Bracket	IP65	Upward

Product NO.

Lamp

Ordering code : See Price Sheet

* Note:Color Temperature 2720-6500 available upon request.
Fixture for downward usage available upon request.

** The above data is subject to change without notice.

Features :

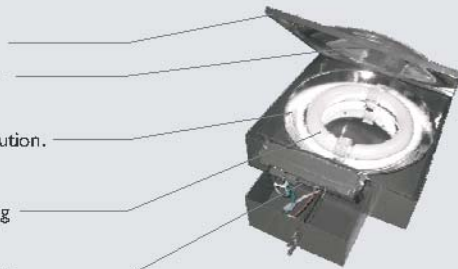
- Square welded aluminum housing with powder coated finish for corrosion-resistance.
- ZG4-200/250/300E – clear tempered glass lens ZG4a-250/300E-UV stabilized and heat-resistant polycarbonate lens.
- Aluminum reflector with vacuum coated inner surface designed to optimize light distribution.

Lamp and ballast:

- Our 200VV,250VV ,300VV round tubular induction lamp features high lighting efficacy, long lifetime, good color rendering, stable output, etc.
- Our electronic ballast features high power factor (>0.95), flickering free, low loss, constant output, etc.

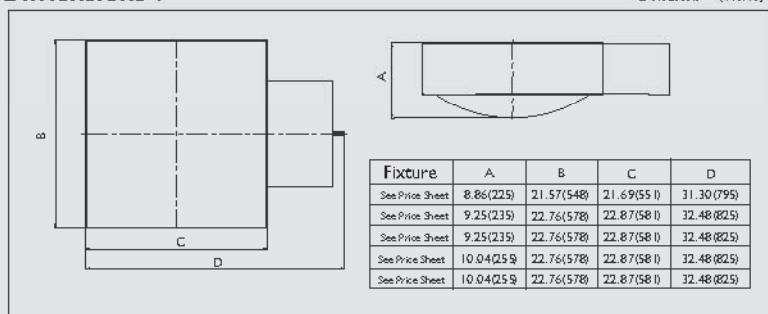
Applications :

- Parking lots, plazas, shopping malls, tennis courts.

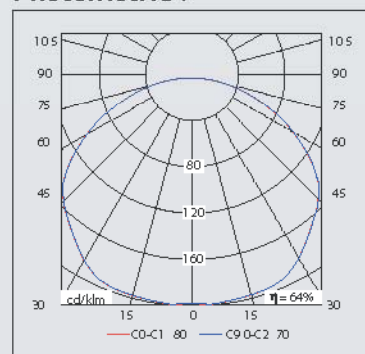


Dimensions :

Unit:in. (mm)



Photometric :



Fixture Specifications :

Product No.	Fixture Model No.	Lamp	Wattage (W)	Voltage (V)	Color Temperature (K)	Ambient Temperature (C°)	Installation	IP class	Note	UL
See Price Sheet	See Price Sheet	See Price Sheet	200	120~277	5000	-20° ~+40°	Square pole	IP54	Curve tempered glass lens.	✓
See Price Sheet	See Price Sheet	See Price Sheet	250							✓
See Price Sheet	See Price Sheet	See Price Sheet	300							
See Price Sheet	See Price Sheet	See Price Sheet	250							✓
See Price Sheet	See Price Sheet	See Price Sheet	300							

Product NO. Lamp

* Note:Color Temperature 2720-6500 available upon request.

Ordering code : See Price Sheet

** Theabove datais subject to change without notice

HOME/OFFICE LUMINAIRE



Features :

- Square ceiling/wall mount luminaire has two layers with three glass crystal balls embedded in the outer layer for an exquisite looking.
- Some models feature dimming remote control.

Lamp and ballast:

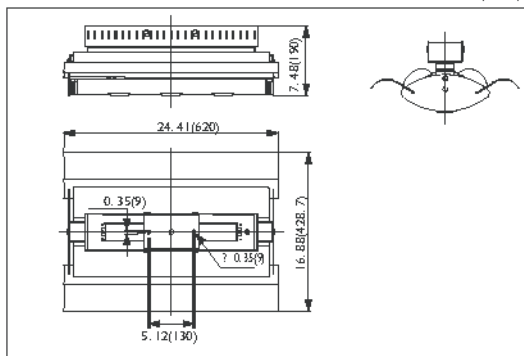
- Our 70W~100W square tubular induction lamp features high lighting efficacy, long lifetime, good color rendering, stable output, etc.
- Our electronic ballast features high power factor (>0.95), flickering free, low loss, constant output, etc. Optional dimmable electronic ballast with remote controller features constant wattage, low power loss, good performance and energy saving.

Applications :

- Offices, meeting rooms, homes, hotels, restaurants.

Dimensions :

Unit:in. (mm)



Fixture Specifications :

Product No.	Fixture Model No.	Lamp	Wattage (W)	Voltage (V)	Color Temperature (K)	Ambient Temperature (C°)	Installation	IP class	Note
See Price Sheet	See Price Sheet		70	120~277	5000	0° ~40°	Roof mount	IP20	Non-dimmable
See Price Sheet	See Price Sheet	80	With remote control						
		100	Dimmable						

Product NO.

Lamp

* Note:Color Temperature 2720-6500 available upon request.

Ordering code :

See Price Sheet

** The above data is subject to change without notice

ARCHITECTURAL LUMINAIRE



Features :

- Die cast aluminum housing with powder coated finish for corrosion-resistance.
- Anodized aluminum reflector and prismatic glass lens.
- Gas-tight silicon rubber seal made for wet locations

Lamp and ballast:

- Our 85W ball type or 70W~100W square tubular induction lamp features high lighting efficacy, long lifetime, good color rendering, stable output, etc.
- Our electronic ballast features high power factor (>0.95), flickering free, low loss, constant output, etc.

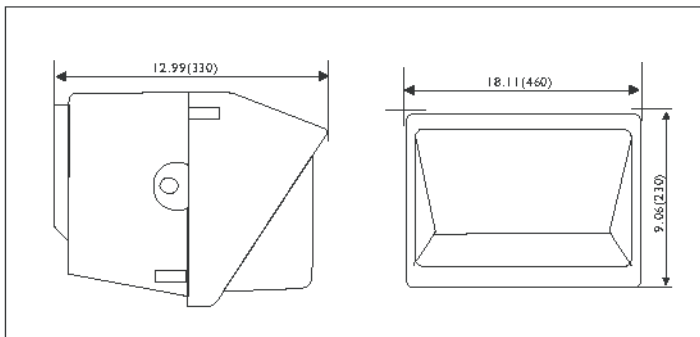


Applications:

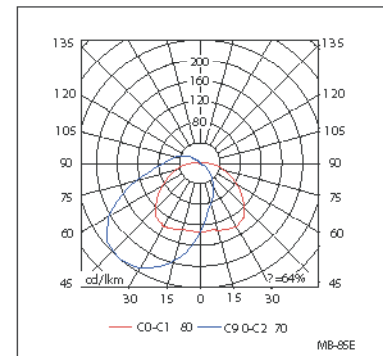
- Parks, shopping malls, outlets, plazas, city halls, historic areas.

Dimensions:

Unit: in. (mm)



Photometric :



Fixture Specifications :

Product No.	Fixture Model No.	Lamp	Wattage (W)	Voltage (V)	Color Temperature (K)	Ambient Temperature (°C)	Installation	IP class	UL CUL
See Price Sheet	See Price Sheet	See Price Sheet	85	120~277	5000	-20° ~+40°	Vertical wall	IP54	✓
See Price Sheet	See Price Sheet	See Price Sheet	70						
See Price Sheet	See Price Sheet	See Price Sheet	80 100						✓

Product NO.

Lamp

* Note:Color Temperature 2720-6500 available upon request.

Ordering code : See Price Sheet

** The above date is subject to change without notice.

Features :

- Aluminum alloy housing with grey powder coated finish for corrosion-resistance.
- Anodized aluminum reflector and frost glass lens.

Lamp and ballast:

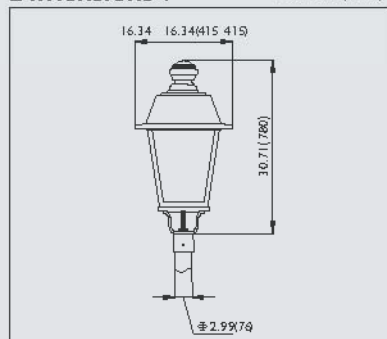
- Our 85W ball type induction lamp features high lighting efficacy, long lifetime, good color rendering, stable output, etc.
- Our electronic ballast features high power factor (>0.95), flickering free, low loss, constant output, etc.

Applications :

- Parks, shopping malls, outlets, plazas, city halls, historic areas



Dimensions : Unit in. (mm)



Fixture Specifications :

Product No.	Fixture Model No.	Lamp	Wattage (W)	Voltage (V)	Color Temperature (K)	Ambient Temperature (C°)	Installation	IP class
See Price Sheet	See Price Sheet	See Price Sheet	85	120~277	5000	-20° ~+ 40°	Pole	IP43

Product NO.

Lamp

* Note:Color Temperature 2720-6500 available upon request.

Ordering code :

See Price Sheet

** The above data is subject to change without notice.

ARCHITECTURAL LUMINAIRE



Features :

- High pressure aluminum alloy housing with PET coated finish for corrosion-resistance.
- Gas-tight silicon rubber seal made for wet locations.
- Heat resistant polycarbonate lens.

Lamp and ballast:

- Our 85W ball type induction lamp features high lighting efficacy, long lifetime, good color rendering, stable output, etc.
- Our electronic ballast features high power factor (>0.95), flickering free, low loss, constant output, etc.

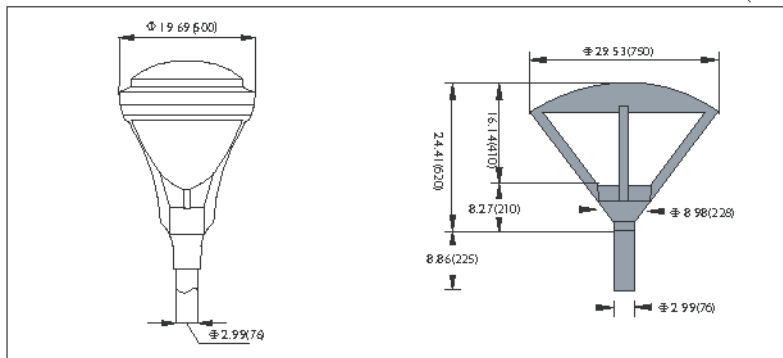
Applications :

- Parks, shopping malls, outlets, plazas, city halls, historic areas.



Dimensions :

Unit: in. (mm)



Fixture Specifications :

Product No.	Fixture Model No.	Lamp	Wattage (W)	Voltage (V)	Color Temperature (K)	Ambient Temperature (C°)	Installation	IP class
See Price Sheet	See Price Sheet	See Price Sheet	85	120~277	5000	-20° ~+40°	Pole	IP54
See Price Sheet	See Price Sheet							IP44

Product NO.

Lamp

* Note:Color Temperature 2720-6500 available upon request.

Ordering code :

See Price Sheet

** The above data is subject to change without notice.

Features :

- Aluminum alloy housing with powder coated finish for corrosion-resistance, various colors available. Gas-tight silicon rubber seal made for wet locations.
- Prismatic glass lens.
- Easy for installation and maintenance.

Lamp and ballast:

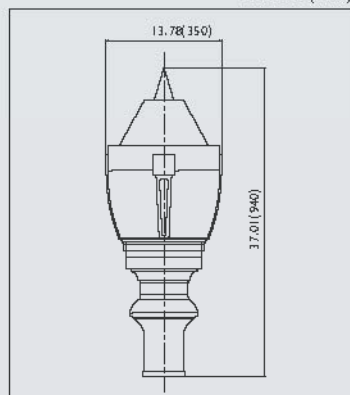
- Our 85W ball type induction lamp features high lighting efficacy, long lifetime, good color rendering, stable output, etc.
- Our electronic ballast features high power factor (>0.95), flickering free, low loss, constant output, etc.

Applications:

- Parks, shopping malls, outlets, plazas, city halls, historic areas.



Dimensions : Unit: in. (mm)



Fixture Specifications :

Product No.	Fixture Model No.	Lamp	Wattage (W)	Voltage (V)	Color Temperature (K)	Ambient Temperature (C°)	Installation	IP class
See Price Sheet	See Price Sheet	See Price Sheet	85	120~277	5000	-20° ~+40°	Pole	IP43

Product NO.

Lamp

* Note:Color Temperature 2720-6500 available upon request

Ordering code : See Price Sheet

** The above data is subject to change without notice