

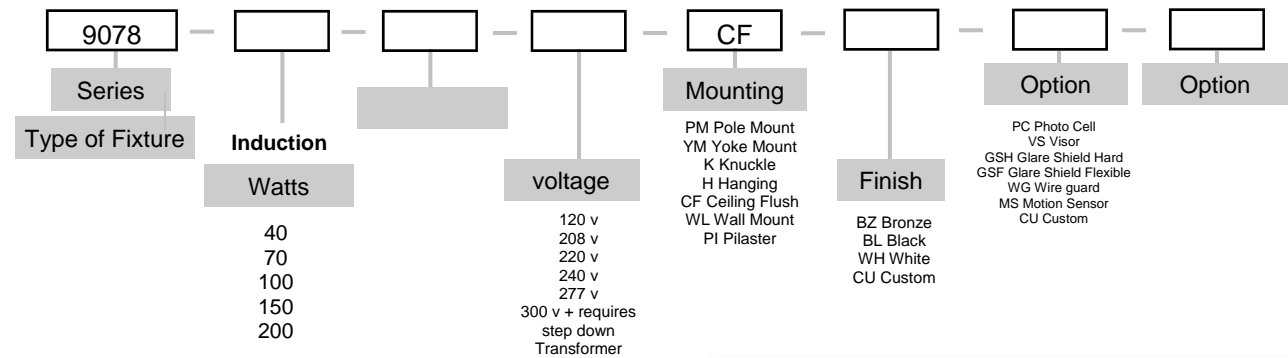
Series 9078 Canopy Mount

Application:
Garage
Warehouse
Car port/ solar
Convention
Lab



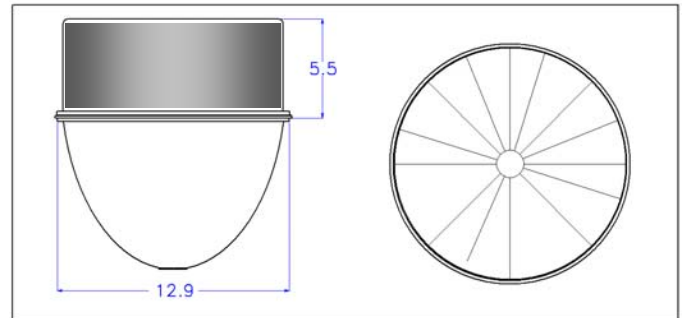
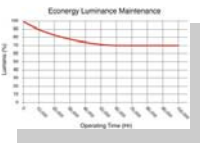
Acrylic Lens Made
in the USA
Round Pan Design
High Performance
Induction

Ordering Specifications



ADG ECO INDUCTION LIGHT SYSTEMS MUST FOLLOW THESE SPECIFICATIONS:

- AMERICAN MADE LIGHT FIXTURE
- ENERGY STAR CHALLENGE
- 10 YEAR LIMITED WARRANTY
- 100,000 HR. BULB LIFE
- 100-277v 80-85 CRI
- AVAILABLE THROUGH ADG ECO AUTHORIZED RESELLER OR FACTORY
- FIXTURES ETL WET LISTED
- UL COMPLIANT ELECTRONICS
- PROVIDE HIGH QUALITY LIGHT DISTRIBUTION
- FIXTURES MUST COMPLY WITH THE FOLLOWING...



Cage: 59TA1 Duns:198358579 NAICS: 335129, 331724, 541420 FSC: 5975, 6210, 6240

