

Laney Acorn Fixture



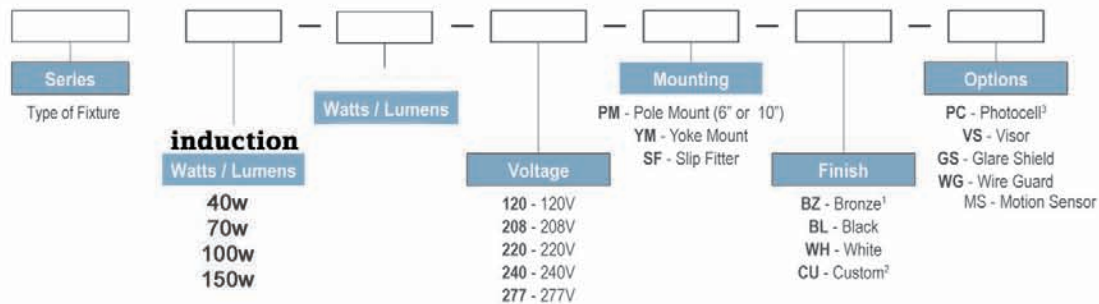
APPLICATION

Parking Lots
Streets
Theme Parks

Assembly includes: acrylic top and bottom, bottom refractor, lite lid and top finial

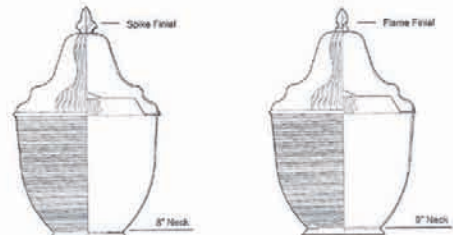
NOTE: Does NOT include Post-Top Fitter (See fitter spec sheet) nor Post

Ordering Specifications:



ADG ECO INDUCTION LIGHT SYSTEMS MUST FOLLOW THESE SPECIFICATIONS:

- AMERICAN MADE LIGHT FIXTURE
- ENERGY STAR PARTNER
- 10 YEAR LIMITED WARRANTY
- 100,000 HR. BULB LIFE
- 100-277v 80-85 CRI
- AVAILABLE THROUGH ADG ECO AUTHORIZED RESELLER OR FACTORY
- FIXTURES ETL WET LISTED
- UL COMPLIANT ELECTRONICS
- PROVIDE HIGH QUALITY LIGHT DISTRIBUTION
- FIXTURES MUST COMPLY WITH THE FOLLOWING...

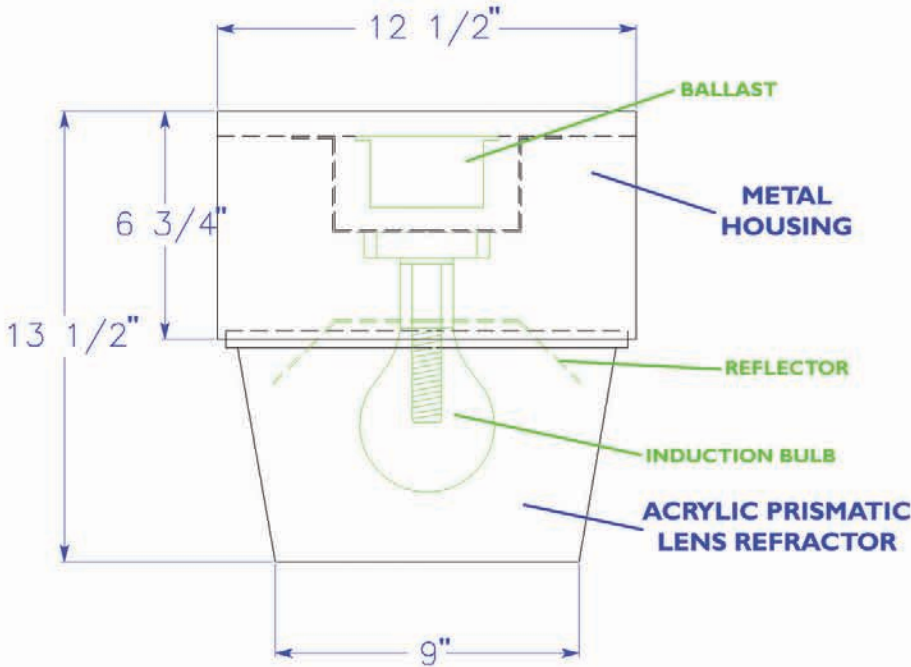


GARAGE ROUND FIXTURE

NOTE: FIXTURE AVAILABLE AS CEILING FLUSH (PICTURED) OR AS DROP PENDANT MOUNT
- AVAIL. IN 40WATT OR 70 WATT
- AVAIL. IN BRONZE (std) AND WHITE FINISH
- 5000 K

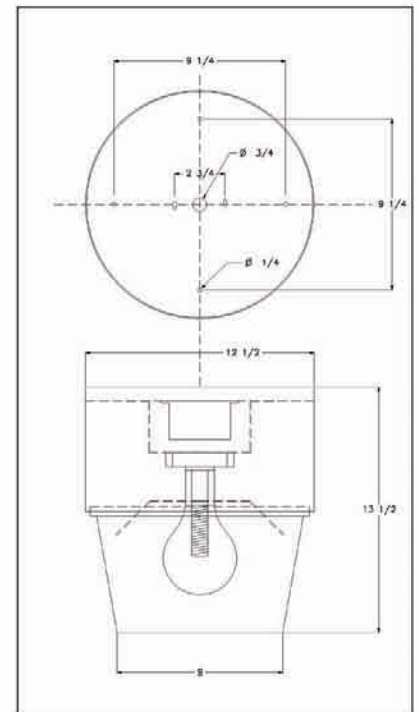
Application

- Parking Garage*
- Gas Station*
- Drive Thru*
- Fast Food Restaurant*
- Outside Applications Etc.*



ADG ECO INDUCTION LIGHT SYSTEMS MUST FOLLOW THESE SPECIFICATIONS:

- AMERICAN MADE LIGHT FIXTURE
- ENERGY STAR PARTNER
- 10 YEAR LIMITED WARRANTY
- 100,000 HR. BULB LIFE
- 100-277v 80-85 CRI
- AVAILABLE THROUGH ADG ECO AUTHORIZED RESELLER OR FACTORY
- FIXTURES ETL WET LISTED
- UL COMPLIANT ELECTRONICS
- PROVIDE HIGH QUALITY LIGHT DISTRIBUTION
- FIXTURES MUST COMPLY WITH THE FOLLOWING...



Shoe Box Fixture

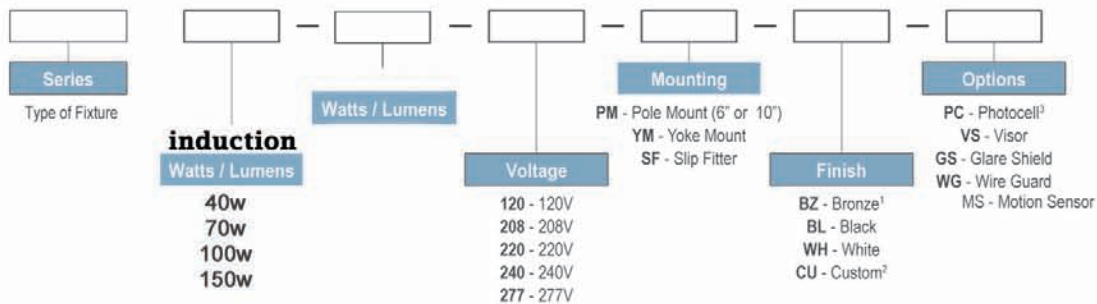
shown with standard square pole mount bracket

APPLICATION

Parking Lots
Streets
Business Parks

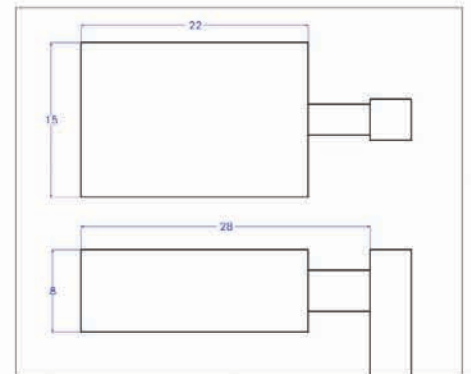


Ordering Specifications:



ADG ECO INDUCTION LIGHT SYSTEMS MUST FOLLOW THESE SPECIFICATIONS:

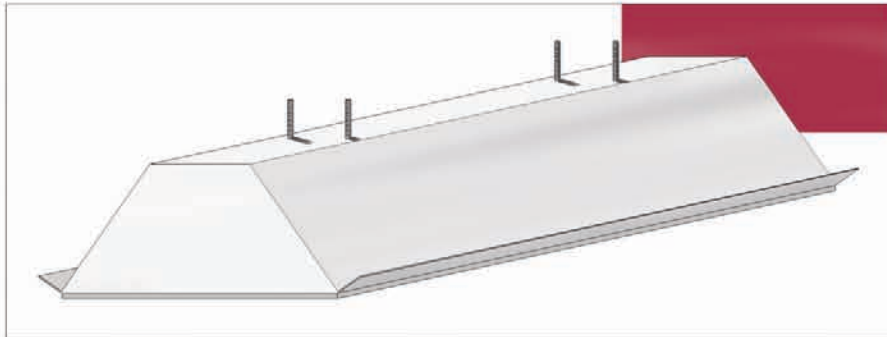
- AMERICAN MADE LIGHT FIXTURE
- ENERGY STAR PARTNER
- 10 YEAR LIMITED WARRANTY
- 100,000 HR. BULB LIFE
- 100-277v 80-85 CRI
- AVAILABLE THROUGH ADG ECO AUTHORIZED RESELLER OR FACTORY
- FIXTURES ETL WET LISTED
- UL COMPLIANT ELECTRONICS
- PROVIDE HIGH QUALITY LIGHT DISTRIBUTION
- FIXTURES MUST COMPLY WITH THE FOLLOWING...



STADIUM LIGHT FIXTURE

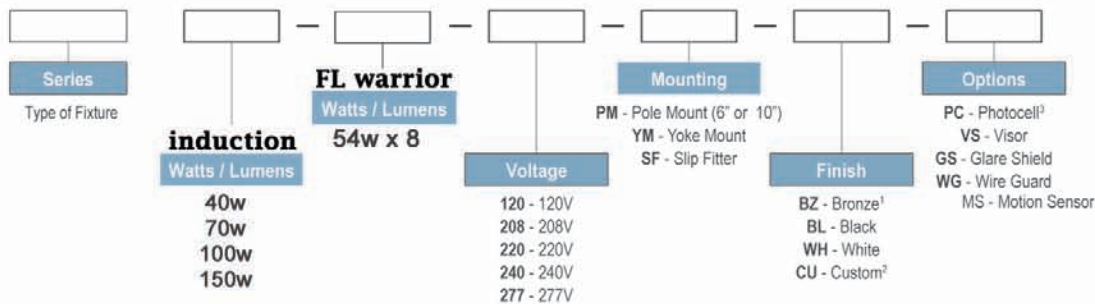
APPLICATION

- Warehouse
- Stadiums
- Factory
- Commercial Building



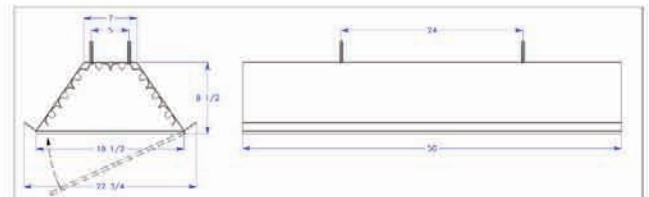
NOTE: This fixture can be ordered with FL Warrior lamping of 2-3 Induction lamps
 -Light distance thrown w/ 8 FL Warrior lamps : 115 ft.
 - Bracket matches industry standard arm mounting
 - Multi-circuit, ETL Wet

Ordering Specifications:



ADG ECO INDUCTION LIGHT SYSTEMS MUST FOLLOW THESE SPECIFICATIONS:

- AMERICAN MADE LIGHT FIXTURE
- ENERGY STAR PARTNER
- 10 YEAR LIMITED WARRANTY
- 100,000 HR. BULB LIFE
- 100-277v 80-85 CRI
- AVAILABLE THROUGH ADG ECO AUTHORIZED RESELLER OR FACTORY
- FIXTURES ETL WET LISTED
- UL COMPLIANT ELECTRONICS
- PROVIDE HIGH QUALITY LIGHT DISTRIBUTION
- FIXTURES MUST COMPLY WITH THE FOLLOWING...



Acrylic Dome Hi-bay

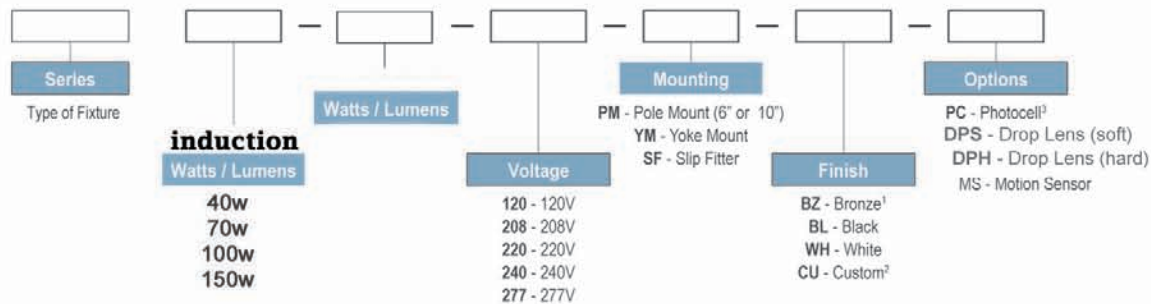
shown with open bottom, bottom lens also available



APPLICATION

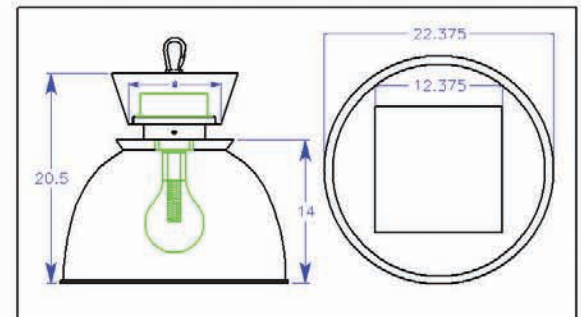
- Warehouse**
- Parking Structures**
- Factories**
- Gyms**

Ordering Specifications:



ADG ECO INDUCTION LIGHT SYSTEMS MUST FOLLOW THESE SPECIFICATIONS:

- AMERICAN MADE LIGHT FIXTURE
- ENERGY STAR PARTNER
- 10 YEAR LIMITED WARRANTY
- 100,000 HR. BULB LIFE
- 100-277v 80-85 CRI
- AVAILABLE THROUGH ADG ECO AUTHORIZED RESELLER OR FACTORY
- FIXTURES ETL WET LISTED
- UL COMPLIANT ELECTRONICS
- PROVIDE HIGH QUALITY LIGHT DISTRIBUTION
- FIXTURES MUST COMPLY WITH THE FOLLOWING...



Aluminum Dome Hi-bay

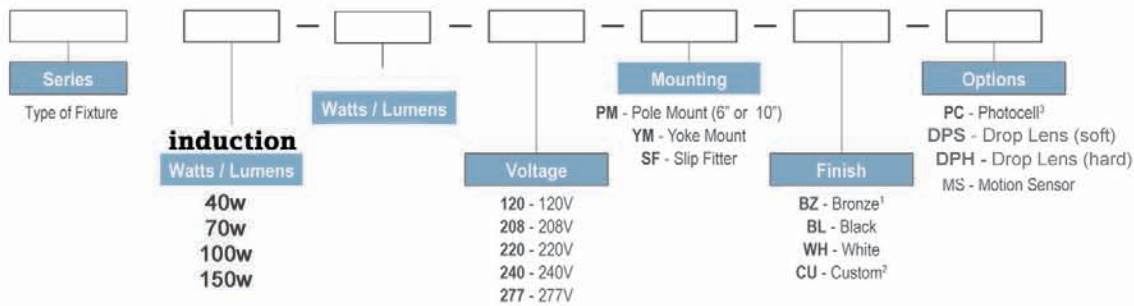
shown with open bottom, bottom lens also available



APPLICATION

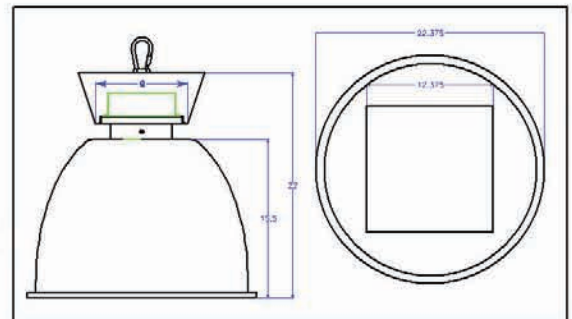
Warehouse
Parking Structures
Factories
Gyms

Ordering Specifications:



ADG ECO INDUCTION LIGHT SYSTEMS MUST FOLLOW THESE SPECIFICATIONS:

- AMERICAN MADE LIGHT FIXTURE
- ENERGY STAR PARTNER
- 10 YEAR LIMITED WARRANTY
- 100,000 HR. BULB LIFE
- 100-277v 80-85 CRI
- AVAILABLE THROUGH ADG ECO AUTHORIZED RESELLER OR FACTORY
- FIXTURES ETL WET LISTED
- UL COMPLIANT ELECTRONICS
- PROVIDE HIGH QUALITY LIGHT DISTRIBUTION
- FIXTURES MUST COMPLY WITH THE FOLLOWING...



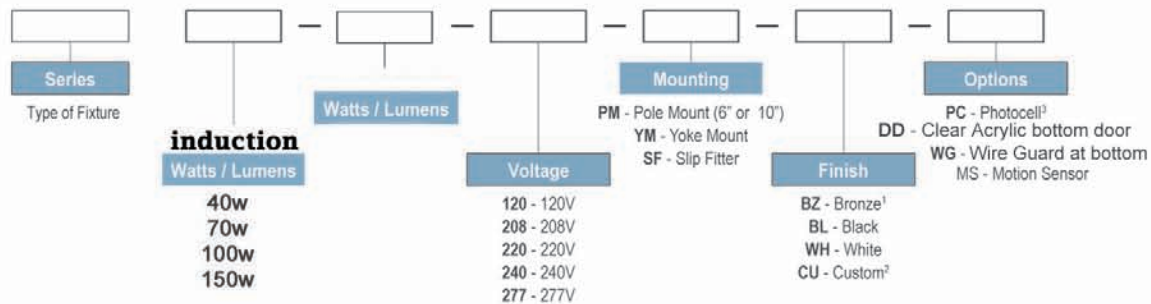
Hi-Bay Square



APPLICATION

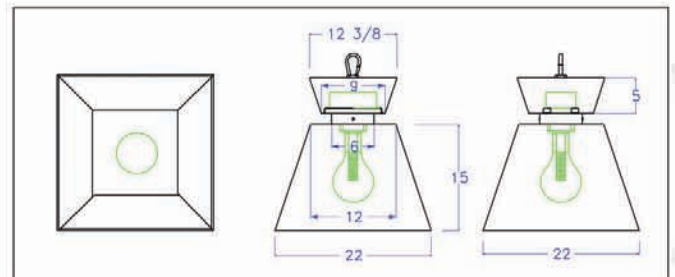
Warehouse
Parking Structures
Factories
Gyms

Ordering Specifications:



ADG ECO INDUCTION LIGHT SYSTEMS MUST FOLLOW THESE SPECIFICATIONS:

- AMERICAN MADE LIGHT FIXTURE
- ENERGY STAR PARTNER
- 10 YEAR LIMITED WARRANTY
- 100,000 HR. BULB LIFE
- 100-277v 80-85 CRI
- AVAILABLE THROUGH ADG ECO AUTHORIZED RESELLER OR FACTORY
- FIXTURES ETL WET LISTED
- UL COMPLIANT ELECTRONICS
- PROVIDE HIGH QUALITY LIGHT DISTRIBUTION
- FIXTURES MUST COMPLY WITH THE FOLLOWING...



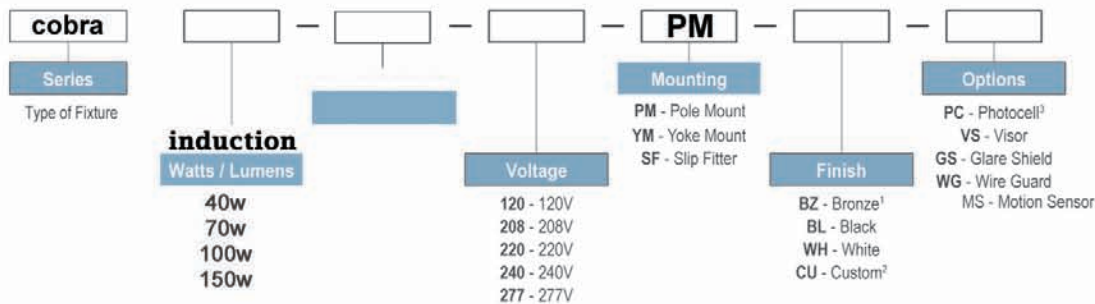
Cobra Head Fixture



APPLICATION

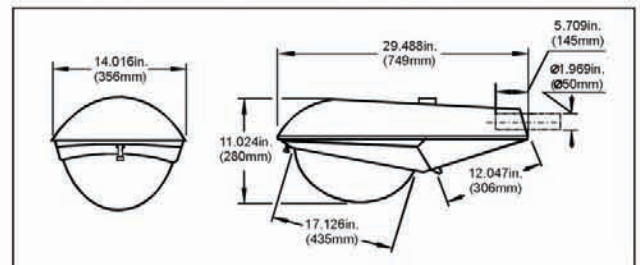
Parking Lots
Streets
Business Parks

Ordering Specifications:



ADG ECO INDUCTION LIGHT SYSTEMS MUST FOLLOW THESE SPECIFICATIONS:

- AMERICAN MADE LIGHT FIXTURE
- ENERGY STAR PARTNER
- 10 YEAR LIMITED WARRANTY
- 100,000 HR. BULB LIFE
- 100-277v 80-85 CRI
- AVAILABLE THROUGH ADG ECO AUTHORIZED RESELLER OR FACTORY
- FIXTURES ETL WET LISTED
- UL COMPLIANT ELECTRONICS
- PROVIDE HIGH QUALITY LIGHT DISTRIBUTION
- FIXTURES MUST COMPLY WITH THE FOLLOWING...



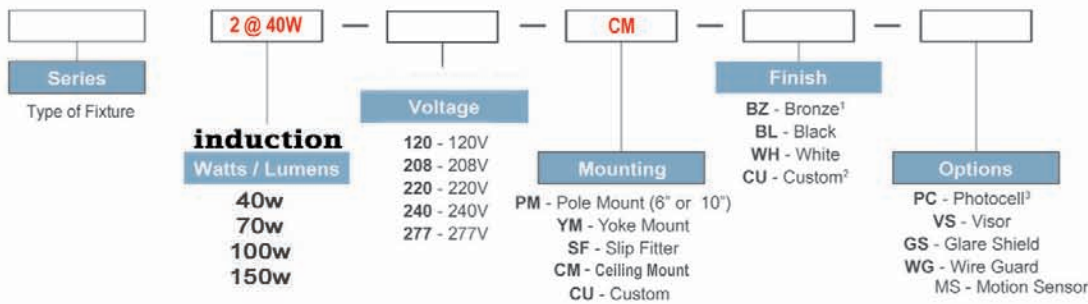
Dual Lamp Garage Fixture



APPLICATION

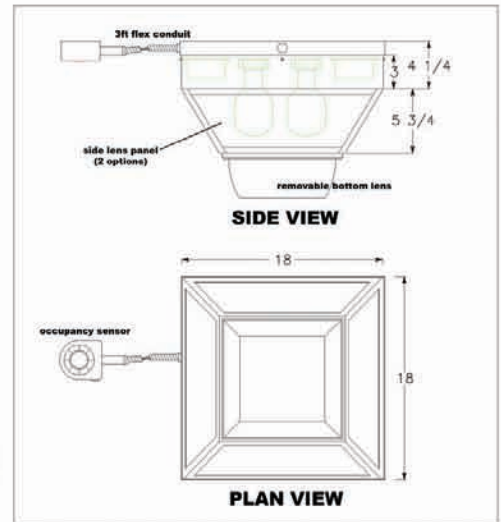
- Parking Garages**
- Gyms**
- Gas Stations**
- Low Bays**

Ordering Specifications:



ADG ECO INDUCTION LIGHT SYSTEMS MUST FOLLOW THESE SPECIFICATIONS:

- AMERICAN MADE LIGHT FIXTURE
- ENERGY STAR PARTNER
- 10 YEAR LIMITED WARRANTY
- 100,000 HR. BULB LIFE
- 100-277v 80-85 CRI
- AVAILABLE THROUGH ADG ECO AUTHORIZED RESELLER OR FACTORY
- FIXTURES ETL WET LISTED
- UL COMPLIANT ELECTRONICS
- PROVIDE HIGH QUALITY LIGHT DISTRIBUTION
- FIXTURES MUST COMPLY WITH THE FOLLOWING...



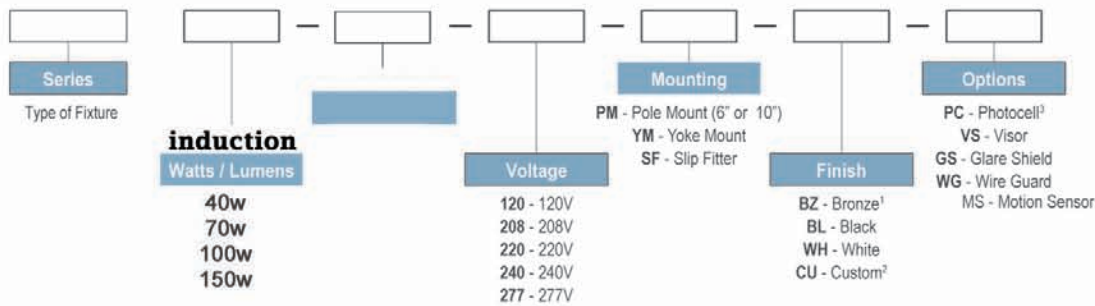
Hi-Performance Street Light

APPLICATION

- Parking Lots**
- Streets**
- Business Parks**

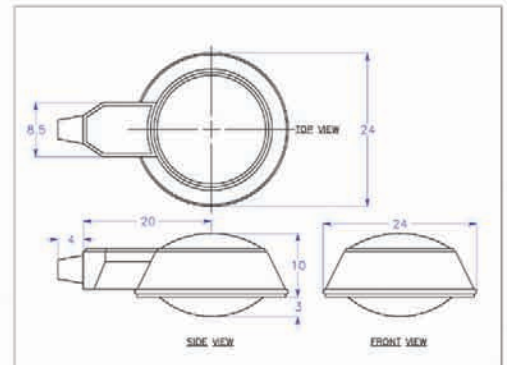


Ordering Specifications:



ADG ECO INDUCTION LIGHT SYSTEMS MUST FOLLOW THESE SPECIFICATIONS:

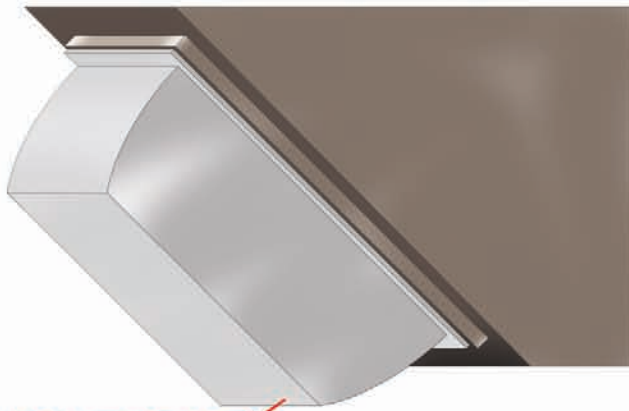
- AMERICAN MADE LIGHT FIXTURE
- ENERGY STAR PARTNER
- 10 YEAR LIMITED WARRANTY
- 100,000 HR. BULB LIFE
- 100-277v 80-85 CRI
- AVAILABLE THROUGH ADG ECO AUTHORIZED RESELLER OR FACTORY
- FIXTURES ETL WET LISTED
- UL COMPLIANT ELECTRONICS
- PROVIDE HIGH QUALITY LIGHT DISTRIBUTION
- FIXTURES MUST COMPLY WITH THE FOLLOWING...



Wall Pack Fixture

APPLICATION

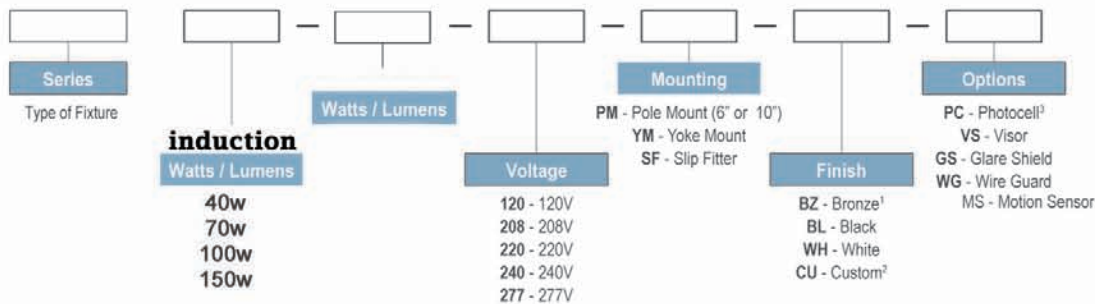
Parking Lots
Business Bldgs
Business Parks



removable prismatic lens

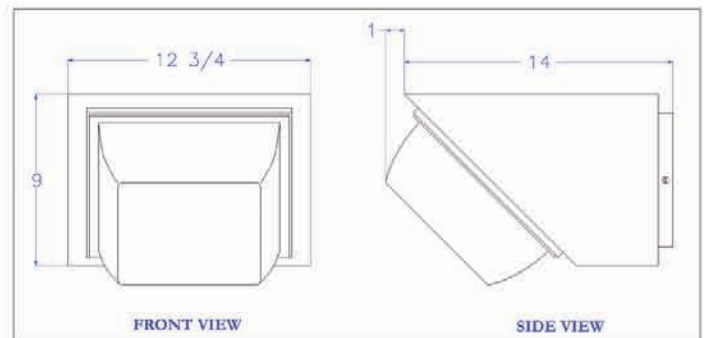
mounting bracket

Ordering Specifications:



ADG ECO INDUCTION LIGHT SYSTEMS MUST FOLLOW THESE SPECIFICATIONS:

- AMERICAN MADE LIGHT FIXTURE
- ENERGY STAR PARTNER
- 10 YEAR LIMITED WARRANTY
- 100,000 HR. BULB LIFE
- 100-277v 80-85 CRI
- AVAILABLE THROUGH ADG ECO AUTHORIZED RESELLER OR FACTORY
- FIXTURES ETL WET LISTED
- UL COMPLIANT ELECTRONICS
- PROVIDE HIGH QUALITY LIGHT DISTRIBUTION
- FIXTURES MUST COMPLY WITH THE FOLLOWING...



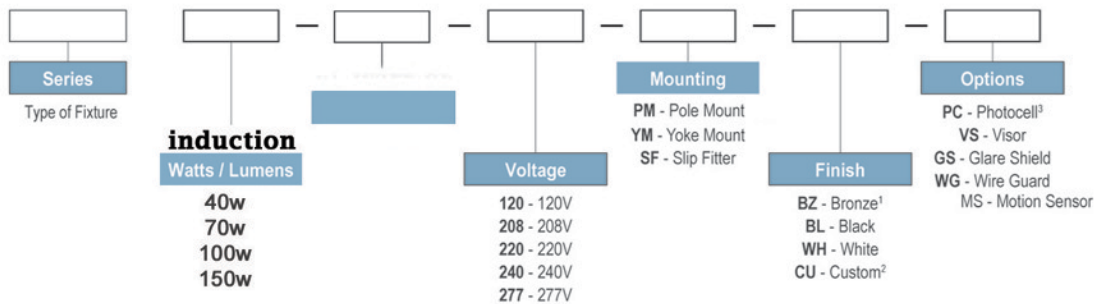
Wall Pack Fixture



APPLICATION

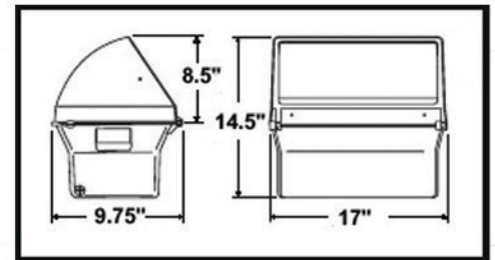
Parking Lots
Commercial
Business Parks

Ordering Specifications:



ADG ECO INDUCTION LIGHT SYSTEMS MUST FOLLOW THESE SPECIFICATIONS:

- AMERICAN MADE LIGHT FIXTURE
- ENERGY STAR PARTNER
- 10 YEAR LIMITED WARRANTY
- 100,000 HR. BULB LIFE
- 100-277v 80-85 CRI
- AVAILABLE THROUGH ADG ECO AUTHORIZED RESELLER OR FACTORY
- FIXTURES ETL WET LISTED
- UL COMPLIANT ELECTRONICS
- PROVIDE HIGH QUALITY LIGHT DISTRIBUTION
- FIXTURES MUST COMPLY WITH THE FOLLOWING...



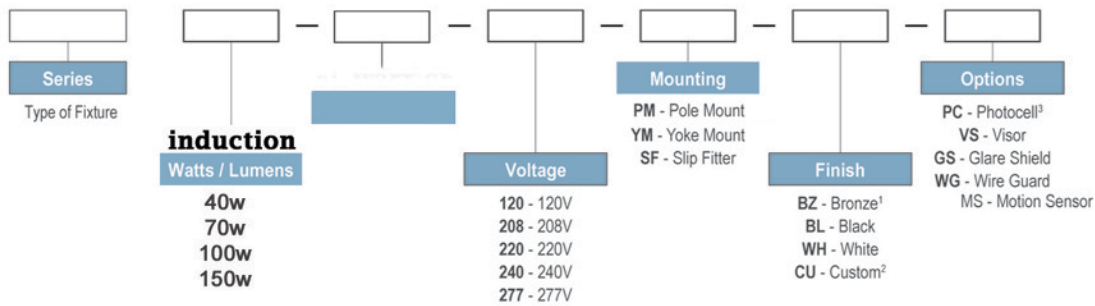
Flood Light Fixture



APPLICATION

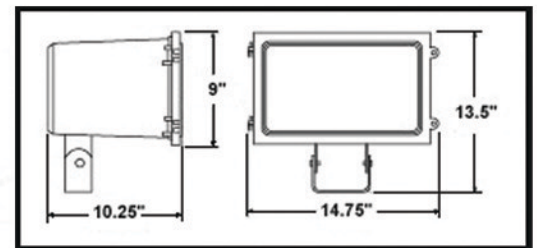
Parking Lots
Commercial Bldgs.
Business Parks

Ordering Specifications:



ADG ECO INDUCTION LIGHT SYSTEMS MUST FOLLOW THESE SPECIFICATIONS:

- AMERICAN MADE LIGHT FIXTURE
- ENERGY STAR PARTNER
- 10 YEAR LIMITED WARRANTY
- 100,000 HR. BULB LIFE
- 100-277v 80-85 CRI
- AVAILABLE THROUGH ADG ECO AUTHORIZED RESELLER OR FACTORY
- FIXTURES ETL WET LISTED
- UL COMPLIANT ELECTRONICS
- PROVIDE HIGH QUALITY LIGHT DISTRIBUTION
- FIXTURES MUST COMPLY WITH THE FOLLOWING...



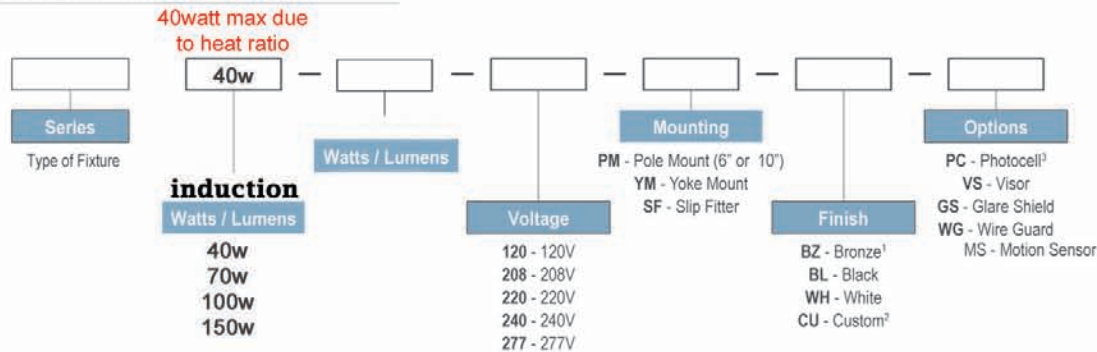
Bollard Fixture 40watt



APPLICATION

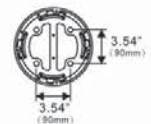
Parking Lots
Walk Ways
Theme Parks

Ordering Specifications:



ADG ECO INDUCTION LIGHT SYSTEMS MUST FOLLOW THESE SPECIFICATIONS:

- AMERICAN MADE LIGHT FIXTURE
- ENERGY STAR PARTNER
- 10 YEAR LIMITED WARRANTY
- 100,000 HR. BULB LIFE
- 100-277v 80-85 CRI
- AVAILABLE THROUGH ADG ECO AUTHORIZED RESELLER OR FACTORY
- FIXTURES ETL WET LISTED
- UL COMPLIANT ELECTRONICS
- PROVIDE HIGH QUALITY LIGHT DISTRIBUTION
- FIXTURES MUST COMPLY WITH THE FOLLOWING...



North America Industry Standard

The European Community

ISO 14001

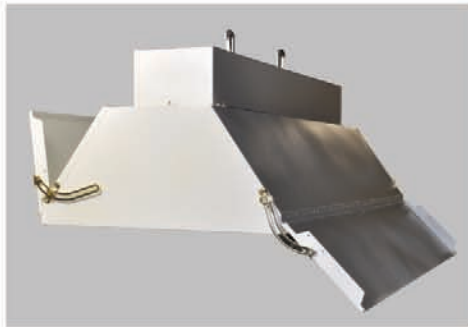
FCC Federal Communications Commission

KAB

North America Industry Standard

High Energy Efficient Equipment Label

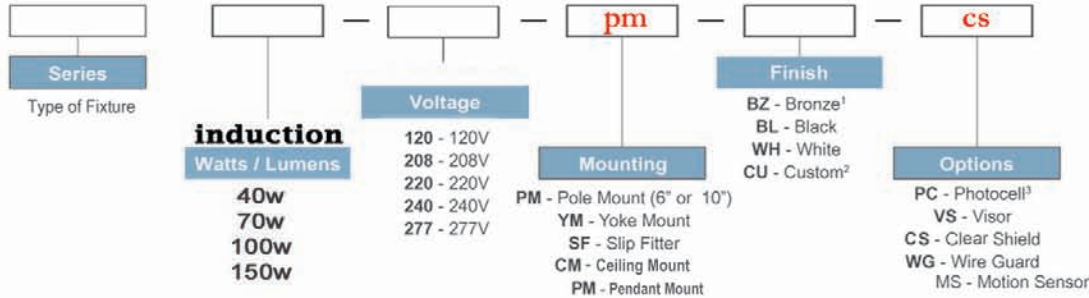
3Lamp Hi-Bay Fixture



APPLICATION

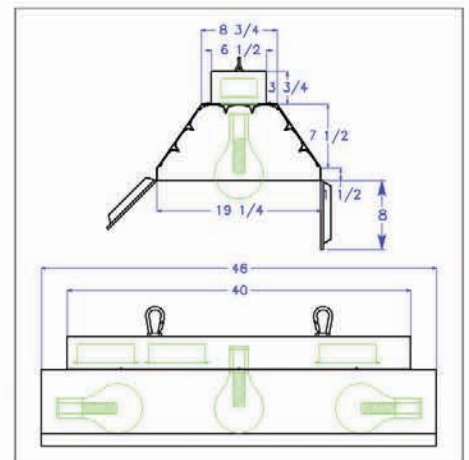
- Industrial
- Agricultural
- Special Events
- Commercial

Ordering Specifications:



ADG ECO INDUCTION LIGHT SYSTEMS MUST FOLLOW THESE SPECIFICATIONS:

- AMERICAN MADE LIGHT FIXTURE
- ENERGY STAR PARTNER
- 10 YEAR LIMITED WARRANTY
- 100,000 HR. BULB LIFE
- 100-277v 80-85 CRI
- AVAILABLE THROUGH ADG ECO AUTHORIZED RESELLER OR FACTORY
- FIXTURES ETL WET LISTED
- UL COMPLIANT ELECTRONICS
- PROVIDE HIGH QUALITY LIGHT DISTRIBUTION
- FIXTURES MUST COMPLY WITH THE FOLLOWING...



ADG Ecolighting

Advanced Lighting Technologies

ADGEco™ Induction Lighting

ADG Eco Lighting electrode-less induction lighting leverages new technology developments to provide a high-efficiency, low-maintenance, long-term lighting solution. With a 100,000-hour rated life, ADG's induction lamps are ideal for outdoor applications where re-lamping is expensive or cumbersome, as in parking lots, street lighting, tunnels, or indoors for high bay fixtures. Versatile mounting options make them the ideal choice for a variety of pole, ceiling and wall-mounted applications.

How do Econergy Lamps Save Energy?

Typical HID lighting has steep lumen depreciation curves, losing as much as half its initial light output by the time it reaches midlife. ADG Ecolighting is manufactured with technology developed for the back light panel display industry, which reduces lumen depreciation to less than 30% over the 100,000-hour life of the lamp.

Since HID lamps tend to be over-designed, providing higher initial lumens to compensate for fast degradation, wattage is being wasted due to expected light loss. High lumen maintenance levels makes this over-compensation unnecessary.

In addition, ADG Ecolighting provides much higher level of luminous efficacy (lumen/watt) due to scotopic factors: high color temperature (K) combined with high color rendering index (CRI). The resulting clean, crisp white light is better to read, work and sell under. Colors are truer and merchandise looks real. This better visual acuity is achieved using less energy than with other, higher-wattage lamps.

As a result, ADG Eco lamps are over 50% more efficient than the typical HID lighting they replace. Depending on the application, one 150 - watt induction lamp may replace a 360 or even a 400 watt HID lamp. Moreover, it will provide more consistent illumination over a much longer period of time.



Gradual, minimal light depreciation ensures predictable, uniform illumination over many years.

Slashing Maintenance Costs

Re-lamping outdoor or high-bay fixtures is both costly and cumbersome, involving specialized equipment and maintenance crews. Since Induction lamps have a rated life of 100,000 or longer than 10 years(*), they can be expected to last four to five times longer than typical HID lamps. This means the frequency of replacement goes down to virtually zero. ADG's induction lighting will pay for itself with energy and labor savings on spot replacement and re-lamping costs alone.

* assuming a burn rate of 12-14 hours a day

NOTES:

- Four components make up the induction system: lamp, power coupler, heat sink and generator
- Approximate lumen values listed are for vertical operation of the lamp
- Mean lumens is the approximate output at 40% of rated average life

Unparalleled Warranty

The quality and durability of this product is so outstanding that ADG Ecolighting is offering the strongest, most comprehensive warranty program in the industry. We back our fixtures for 10 years and our bulbs and ballasts for 5 years.



The European Community



ISO 14001



USA Federal Communications Commission



ISO9001



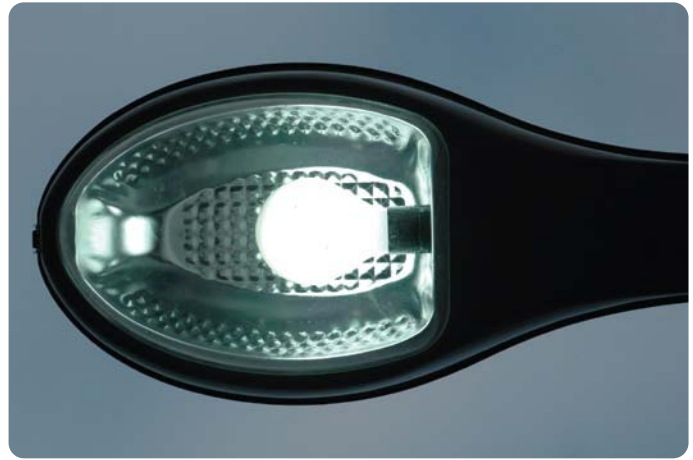
North America Industry Standard



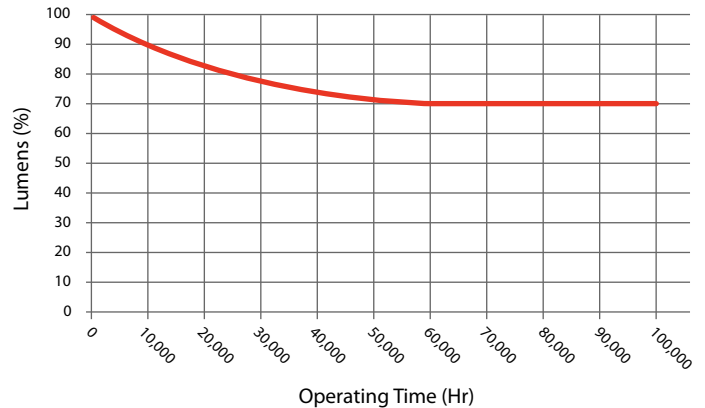
High Energy Efficient Equipment Label

Features & Benefits

- Very long life – 100,000 hours rated life translates to significant savings in maintenance costs
- High lumen output – 2,800 initial lumens (40W lamp) to 18,750 initial lumens (250W lamp)
- Range of input voltage – each lamp has the ability to operate on voltages ranging from 120 to 277
- Gradual, minimal lumen depreciation – still at 70% luminosity at end of life means fewer replacements, more efficient lighting
- Outstanding color rendering – CRI of >85 provides for vivid, natural colors
- Range of color temperatures – choice of warm or cool light for desired effect and particular applications
- Stable output – relatively unaffected by fluctuations in line voltage, the Induction lamp output remains constant over wide ranges of inputs
- Instant-ON capability – because it does not require warm-up time to come to full luminescence, it can be controlled by occupancy sensors to provide further energy savings
- Hot and cold operation – performs on a wide range of environments -- from -20° to 60°
- No flickering or noise – a distraction-free option for indoor or outdoor applications
- Low mercury – uses only 6 mgs of mercury, a much more environmentally-friendly product than other alternatives



ADG Eco Luminance Maintenance



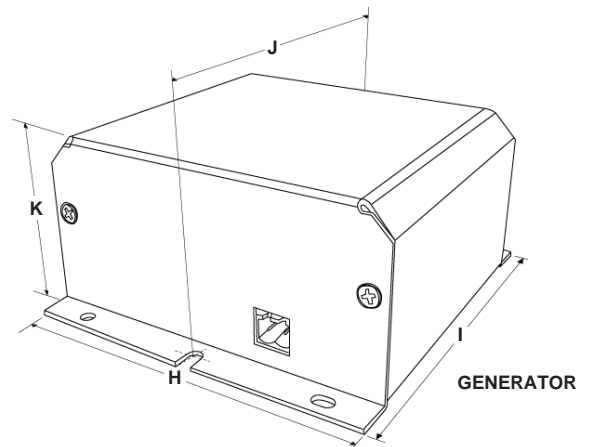
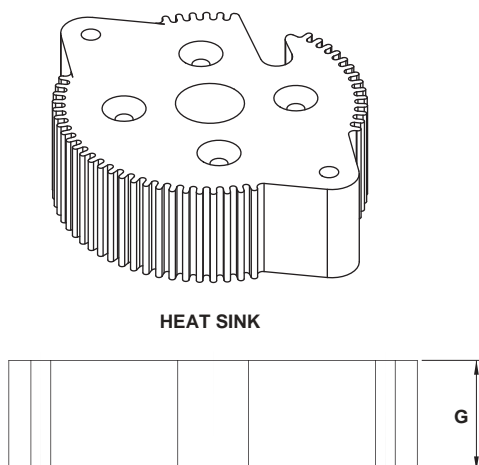
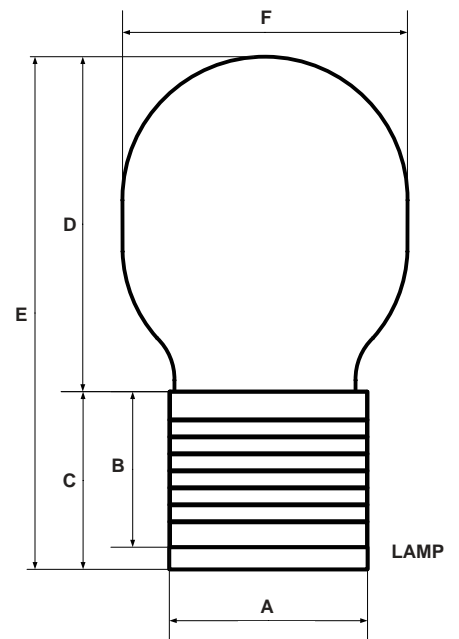
Product Comparison Chart

	Econergy	High Press Sodium	Metal Halide	Pulse Start
Power consumption (W)	70W	150W	175W	150W
Luminous flux (Lm)	7,500	14,000	14,000	14,000
Luminous efficacy (Lm/W)	90	93.3	80	93.3
Color temperature (K)	3000-6500	2,000	4000-6500	4000-6500
Color rendering index (CRI)	85	28	65	65
Initial/re-start time	Instant	8~10min	8~10min	3~4min
Set weight	1kg	6kg	6kg	6kg
Heated temperature	100 C	300~400 C	300~400 C	300~400 C
Lumen depreciation	Slow	Medium	Fast	Fast
Average rated life hours	100,000	24,000	10,000	10,000
Mercury content/watt	5 mg	30 mg	30 mg	30 mg

Description	Order Code	Watts (W)	Input Voltage (V)	Average Rated Life (Hrs)	Lumens (Lm)	Color Temp Kelvin (K)	CRI
ADGEco 40W	10140	40	120 - 277	100,000	2,800	5000	>85
ADGEco 70W	10170	70	120 - 277	100,000	5,250	5000	>85
ADGEco 100W	101100	100	120 - 277	100,000	7,500	5000	>85
ADGEco 150W	101150	150	120 - 277	100,000	11,250	5000	>85
ADGEco 200W	101200	200	120 - 277	100,000	15,000	5000	>85
ADGEco 250W	101250	250	120 - 277	100,000	18,750	5000	>85

Description	Luminous Flux (Lm)	Luminous Efficacy (Lm/W) (Calculated Value)	Luminous Efficacy (Lm/W) (Tested Value)	Operating Temp	MOL (in) Lamp Height [mm]	MOL (in) Heat Sink Height [mm]
ADGEco 40W	2,400	<70	63-64	Less than 60°C	152	min 15
ADGEco 70W	4,900	<75	70-72	Less than 60°C	180	min 15
ADGEco 100W	7,500	<75	72-74	Less than 60°C	207	min 20
ADGEco 150W	10,500	<75	72-74	Less than 60°C	230	min 30
ADGEco 200W	14,000	<80		Less than 60°C	330	min 40
ADGEco 250W	17,500	<80		Less than 60°C	330	TBD

	40W	70W	100W	150W	200W
A	58.0	58.0	58.0	67.0	120.0
B	45.5	45.5	45.5	55.0	75.0
C	52.0	52.0	52.0	62.0	95.0
D	100.0±2.0	128±2.0	155.0±2.0	168±2.0	235.0±2.0
E	152.0±2.0	180.0±2.0	207.0±2.0	230±2.0	330.0±2.0
F	85.0	110.0	130.0	140.0	180.0
G	20	20	25	30	N/A
H	108	108	108	108	108
I	113	113	141	192	192
J	99	99	127	175	175
K	45	54	54	54	58



AdgEco inc.

FL Warrior T8 lamps

New T8 Lamp Outlasts and Outperforms any T8 in the Market

AdgEco's advanced technologies are evident in the unique FL Warrior line of fluorescent lighting. Using state-of-the-art technology to inhibit lumen depreciation, and a patented filament design first incorporated in top of the line back-lit units, the FL Warrior T8 lamp offers a lifespan of over 75,000* hours of good, solid operation, lasting nearly three times longer than the typical 24,000 hours for most premium fluorescent brands.

The benefits for the bottom line are easy to see --and dramatic:

- o Replacing lamps becomes a thing of the past
- o Install and forget

And all this is accomplished without compromising light output levels or color rendering. No other product in the market today can make and substantiate this claim.

* FL Warrior provides 75,000 hours of rated life when used with a programmed-start ballast and 60,000 hours of rated life when used with an instant-start ballast. Rates established at three hours per start. Check with the factory for a list of approved ballasts.

One Lamp, Many Options

FL Warrior T8 is available in several color temperatures, providing a range of options for different applications.

Specifications

Name	Watts	Nom Length inch/mm	Order Code	Description	Case Qty	Average Rated Life		Lumens		Color Temp Kelvin	CRI
						3 Hr-start Programmed- start	3 Hr-start Instant- start	Initial	Mean		
F32T8	32	48/1200	453830	F32T8/830	25	75,000	60,000	2950	2875	3000	>80
F32T8	32	48/1200	453835	F32T8/835	25	75,000	60,000	2950	2875	3500	>80
F32T8	32	48/1200	453841	F32T8/841	25	75,000	60,000	2950	2875	4100	>80
F32T8	32	48/1200	453850	F32T8/850	25	75,000	60,000	2875	2800	5000	>80

www.AdgEcoLP.com



Huge Energy Savings

FL Warrior T8s are a perfect replacement lamp for any environment or fixture – from general office to institutional facilities. But they are especially appropriate for locations with high ceilings such as factories, warehouses, sports arenas or other commercial areas, where labor costs are a concern.

Using a programmed-start ballast, the lamps do not require warm-up time to achieve full luminosity, making it practical to control them with occupancy sensors, photo sensors and other control mechanisms for higher energy systems.

Easy on the environment

At a time of growing demand for environmental responsibility, the FL Warrior lamps provide a strong solution: mercury content is low (6 mgs) and the lamp meets federal TCLP requirements. Better yet, nothing at all goes into the landfill when there is no lamp to dispose of! An FL Warrior just keeps going while other T8s have been replaced a second or third time.



29397 Agoura Rd. #110
Agoura Hills, CA 91301