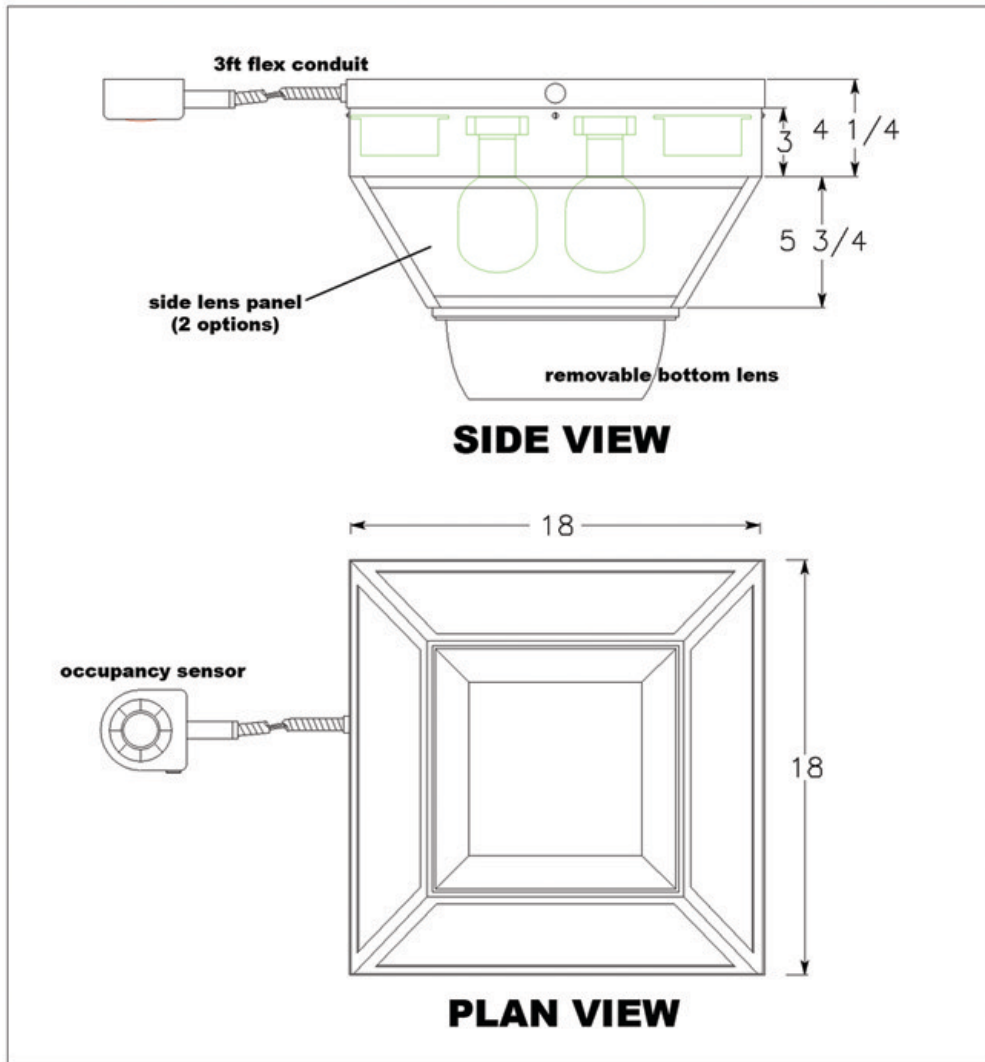


# Dual Lamp Parking Lot Fixture

## APPLICATION

- Parking Structures
- Factory / Production Rooms
- Low Ceiling Labs
- Gas Stations



## SPECS:

- Provides high quality light distribution
- American made fixture
- 100,000 hr bulb / ballast life
- 5000K Color Temperature
- 110-277v 80-85CRI
- Fixture ETL Wet Listed

