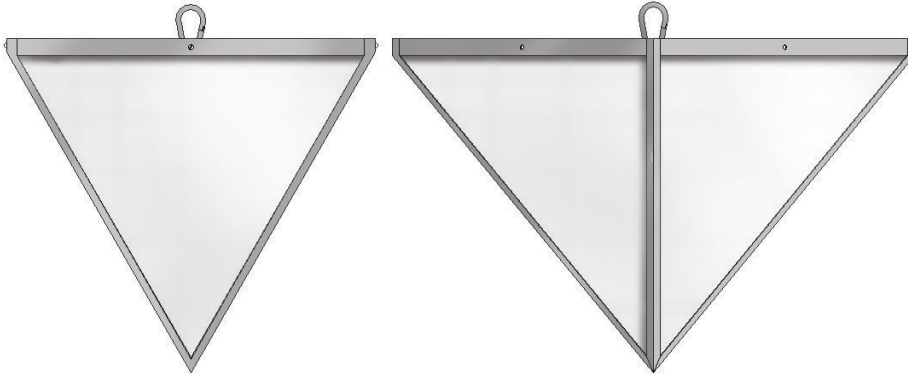


PYRAMID HI-BAY FIXTURE

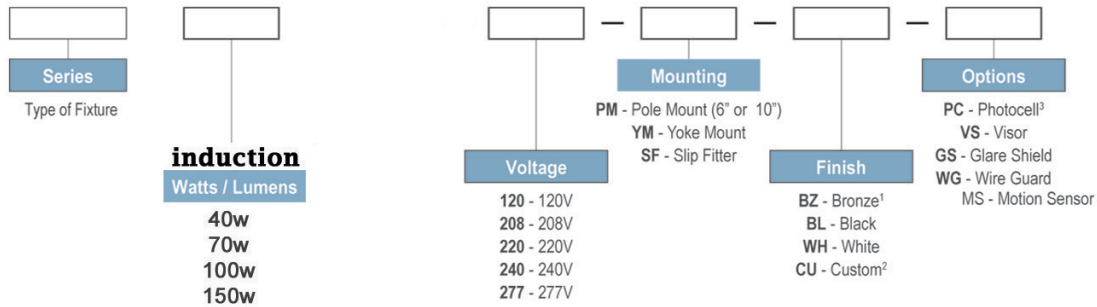
Utilizing 150watt High Performance Induction Bulb

Application

- PARKING GARAGE
- GAS STATION
- FAST FOOD RESTAURANT
- FACTORY
- GYMNASIUM
- OUTSIDE APPLICATIONS ETC.



Ordering Specifications:



ADG ECO INDUCTION LIGHT SYSTEMS MUST FOLLOW THESE SPECIFICATIONS:

- AMERICAN MADE LIGHT FIXTURE
- ENERGY STAR PARTNER
- 10 YEAR LIMITED WARRANTY
- 100,000 HR. BULB LIFE
- 100-277v 80-85 CRI
- AVAILABLE THROUGH ADG ECO AUTHORIZED RESELLER OR FACTORY
- FIXTURES ETL WET LISTED
- UL COMPLIANT ELECTRONICS
- PROVIDE HIGH QUALITY LIGHT DISTRIBUTION
- VARIATIONS MAY OCCUR (SEE TERMS & COND.)
- FIXTURES MUST COMPLY WITH THE FOLLOWING...

